



# DIRECT-VENT INSERTS

## Clean-Face Fireplace Insert DVCT30CBN

### Spec Sheet



#### GLASS VIEWING AREA

25 1/2" W x 15 1/4" H

#### ACTUAL DIMENSIONS

30 11/16" W x 19" H x 17 9/16" D

#### INCLUDES

- Multi-Function Thermostat Remote
- Light
- Blower
- Fireplace Barrier Screen

#### REQUIRES

- Log Set - Driftwood or Traditional Charred
- Liner - Black Ceramic Glass, Old World Stone or Rustic Brick
- Surround:
  - Metal, 3-sided, 1-piece  
36" W x 24" H x 1" D  
40" W x 27" H x 1" D  
42" W x 29" H x 1" D  
44" W x 31" H x 1" D
  - Metal, Flush 3-Sided, 1-piece  
36" W x 24" H  
42" W x 29" H

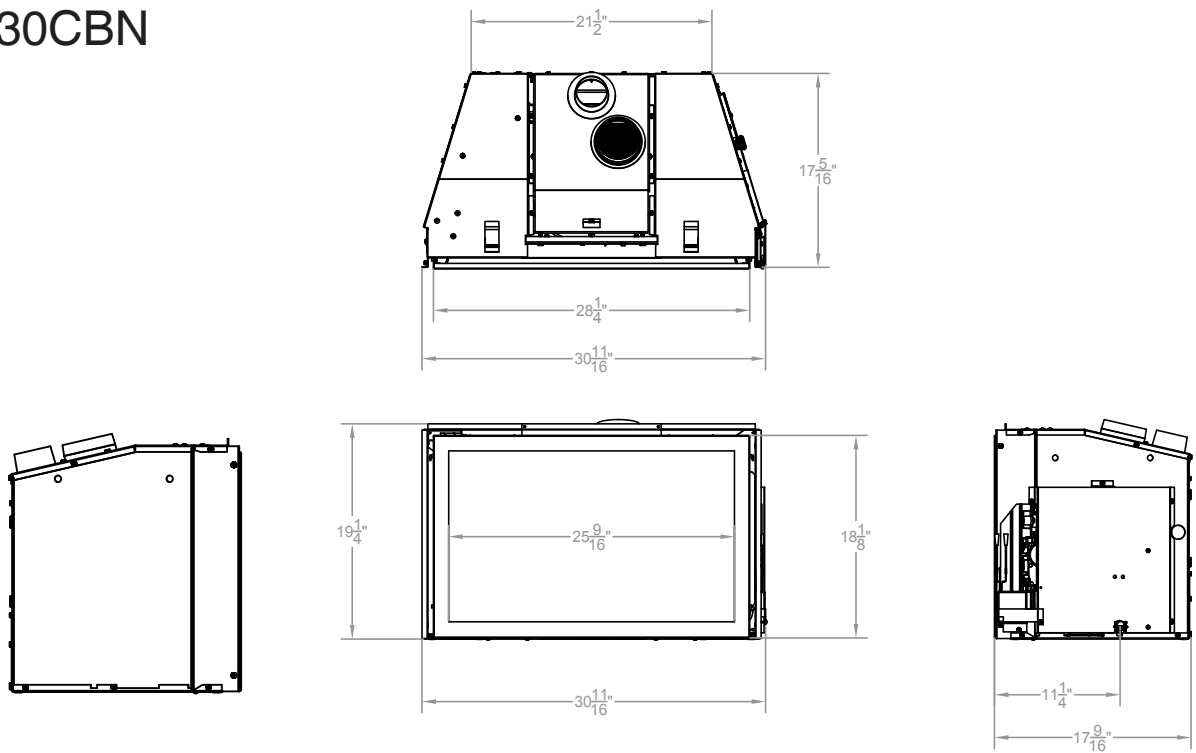
#### TECHNICAL INFORMATION

- Maximum heat output:  
30,000 BTU (Natural),  
28,500 BTU (Propane)
- Weight: 114 lbs.
- Type of Gas: Natural or Propane
- Iron Pipe Size: 1/2-inch
- Ignition Systems: Multifunction Remote
- Vent Size: 3 x 4 Flex

#### FIELD INSTALLED ACCESSORIES

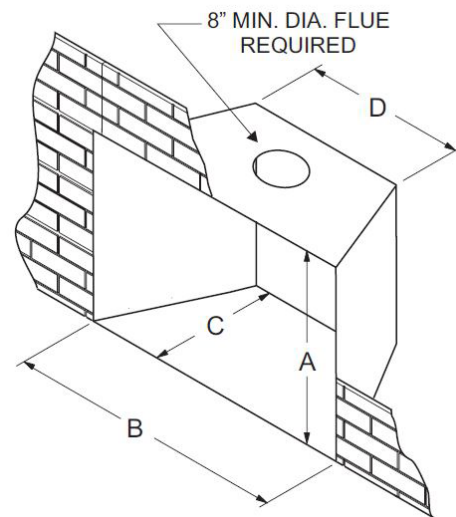
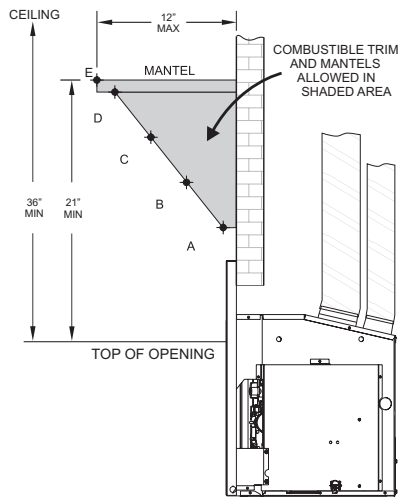
- Decorative Fronts and Insets:  
Forged Iron, Distress Pewter - Arch or Rectangular

# DVCT30CBN



Trim Clearances		
INDEX LETTER	DISTANCE FROM FIREPLACE FACE	DISTANCE FROM TOP OF OPENING
	(Dimensions in inches)	
	Maximum	Minimum
A	1-3/4	12
B	4-1/2	16
C	7-1/4	17
D	9-1/4	20
E	12	21

Minimum Fireplace Opening Dimensions (in inches)	
Height (A)	19 1/2
Front Width (B)	31 1/4
Depth (C)	18
Rear Width (D)	22



Empire is committed to continuous product improvement; specifications are subject to change without notice. Dimensions in this brochure are approximate; read and follow the framing dimensions in the owners manual supplied with your Empire product. Flame size, shape, and color will vary from photos. Our mantels feature natural veneers and hand-rubbed finishes – wood grain and color will vary. Adjust light levels and use “natural light” incandescent bulbs to enhance the dramatic look for your wooden mantel.

Member of the following industry associations:



This appliance is design-certified to the ANSI standard by:



SINCE 1932

Empire Comfort Systems Inc.  
918 Freeburg Ave.  
Belleville, IL 62220-2623  
info@empirecomfort.com

03/18

The Empire Comfort Systems and White Mountain Hearth names and logos are registered U.S. trademarks.