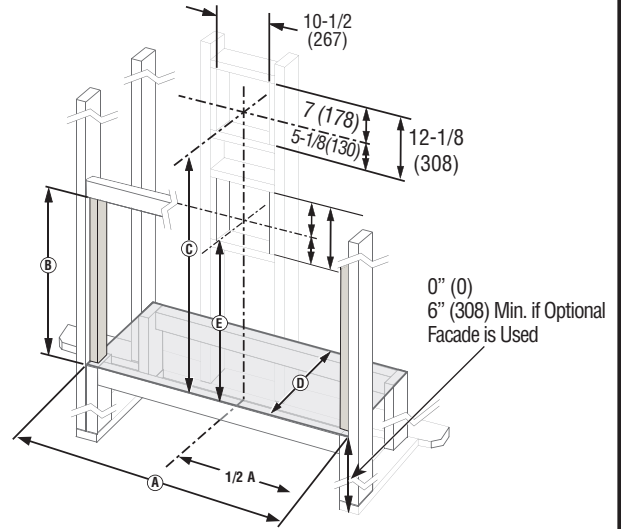
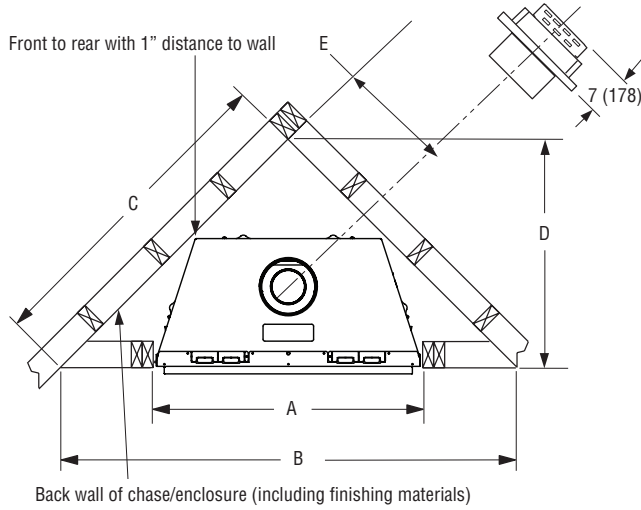


DRL2000 & DRL3500 SERIES

LINEAR DIRECT-VENT FIREPLACES

NOTE: Dimension "D" is for flush framing.

Framing construction to be 2 x 4, or larger.



Inches (millimeters)

| Model | A | B | C | D | E |
|------------|---------------|---------------|---------------|--------------|--------------|
| 35" Models | 35-7/8 (911) | 59-1/2 (1511) | 42-1/8 (1070) | 30-1/4 (768) | 14-1/4 (362) |
| 45" Models | 45-7/8 (1165) | 70-3/8 (1788) | 49-3/4 (1264) | 35-1/4 (895) | 17-1/2 (445) |

| Model | A * | B | C | D | E |
|------------|---------------|----------|-----------|----------|--------------|
| 35" Models | 35-7/8 (911) | 29 (737) | 42 (1067) | 18 (458) | 31-1/2 (547) |
| 45" Models | 45-7/8 (1165) | 29 (737) | 42 (1067) | 18 (458) | 31-1/2 (547) |

C = Height for installations with 12" section directly off unit then elbow
E = Height for installations with elbow directly off unit (see note below)

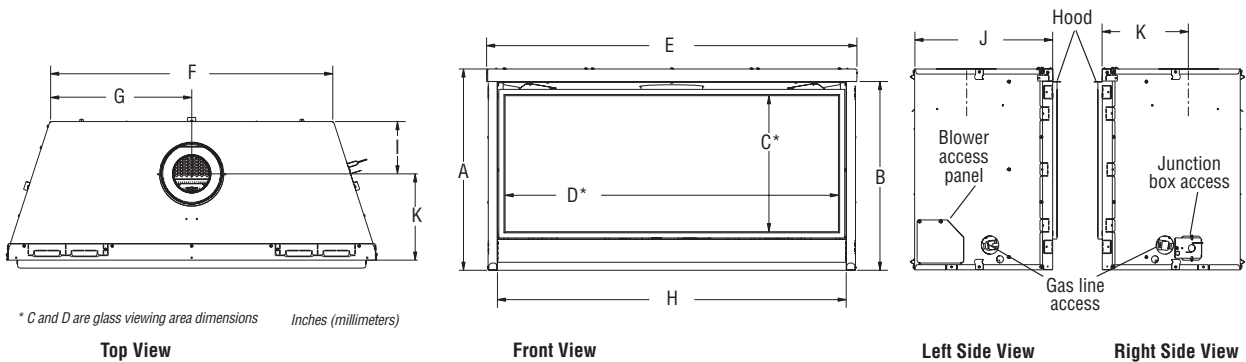
* Minimum opening size; additional 1/8" per side is recommended.

NOTE: Framing specifications do NOT apply for flexible venting. When using flexible venting, refer to the kit requirements for framing specifications.

NOTE: It is strongly recommended to install at least 1 ft of vertical rise directly off top of unit.

Framing Dimensions

Fireplace Dimensions



* C and D are glass viewing area dimensions Inches (millimeters)

| Model | A | B | C* | D* | E | F | G | H | I | J | K |
|------------|--------------|--------------|--------------|-----------|---------------|--------------|--------------|---------------|-------------|----------|--------------|
| 35" Models | 24-3/4 (629) | 23-1/4 (591) | 16-3/4 (426) | 31 (788) | 35-1/2 (902) | 24-3/4 (629) | 12-3/8 (315) | 32-7/8 (835) | 6-1/2 (166) | 17 (432) | 10-5/8 (270) |
| 45" Models | 24-3/4 (629) | 23-1/4 (591) | 16-3/4 (426) | 41 (1042) | 45-1/2 (1156) | 34-3/4 (883) | 17-3/8 (442) | 42-7/8 (1089) | 6-1/2 (166) | 17 (432) | 10-5/8 (270) |

NOTE: DIAGRAMS & ILLUSTRATIONS ARE NOT TO SCALE.

DRL2000 & DRL3500 SERIES

Product Information

| Fireplace Reference Information | | | | |
|---------------------------------|------------|--|--------------|---------------|
| Cat. No. | Model | Description | Shipping Wt. | Shipping Vol. |
| F4182 | DRL2035TEN | 35" Linear DV, Elec NG | 101 lb. | 9.3 cu. ft. |
| F4183 | DRL3535TEN | 35" Linear DV, Lights, Blower, Elec NG | 101 lb. | 9.3 cu. ft. |
| F4186 | DRL2045TEN | 45" Linear DV, Elec NG | 126 lb. | 11.9 cu. ft. |
| F4187 | DRL3545TEN | 45" Linear DV, Lights, Blower, Elec NG | 126 lb. | 11.9 cu. ft. |

Listing Information



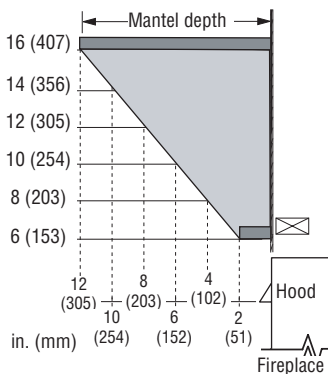
Report No. F19-008

Listed by PFS TECO to - ANSI Z21.88 (in Canada, CSA-2.33), and CAN/CGA-2.17-M91 in both USA and Canada, as a vented gas fireplace heater.

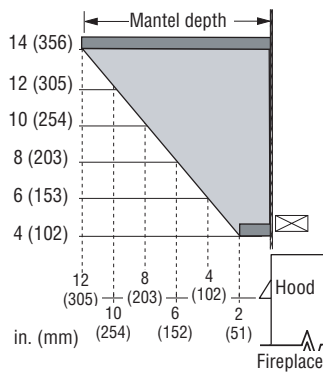
Clearances

Mantel Clearance

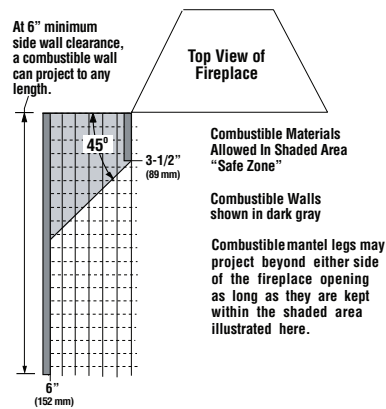
Mantel Height DRL3500 Series Models



Mantel Height Standard DRL2000 Series Models



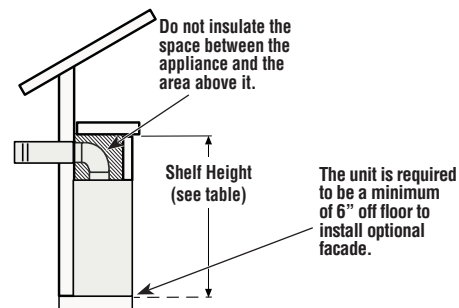
Side Wall Clearance



Shelf Height

| Model | Top Vent with one 90° Elbow | |
|-------|----------------------------------|---------------------------------|
| | Secure Vent® (using rigid elbow) | Secure Flex® (using flex elbow) |
| 35" | 47" (1194 mm)* | 49" (1245 mm)* |
| 45" | 52" (1321 mm)* | 54" (1372 mm)* |

* Includes 3" clearance to combustibles (required above vent components)



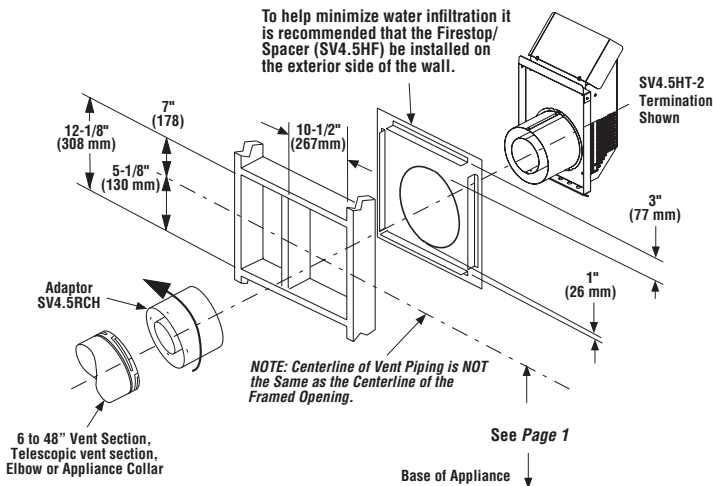
Shelf Above Fireplace With Top Venting

Specifications and clearances are subject to change without notice. Refer to Installation and Operation Manual before installation of these appliances for updated dimensions and instructions.

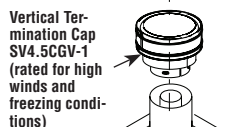
Venting

Horizontal Termination

To help minimize water infiltration it is recommended that the Firestop/Spacer (SV4.5HF) be installed on the exterior side of the wall.

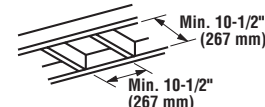


Vertical Termination



* Ceiling Firestop/Spacer (SV4.5VF)

Roof Framing



Uses 4.5" / 7.5" Secure Vent® Rigid and Secure Flex® Direct-Vent Components

Typical Installations

