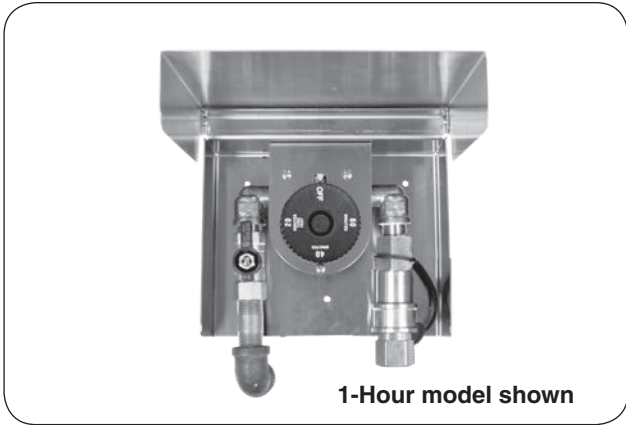




Gas Connection Box with Timer

Model # 5520-01T
5520-03T

INSTALLER: Leave these instructions with consumer.
CONSUMER: Retain for future reference.



1-Hour model shown

INSTALLATION REQUIREMENTS

- Box MUST be installed in accordance with local codes or, in the absence of local codes, in accordance with the National Fuel Gas Code ANSI Z223.1/NFPA54, or the Natural Gas & Propane Installation Code, CSA B149.1, as applicable.
- Box MUST be installed in such a way that it is easily accessible for gas connection, maintenance, and service.
- Box MUST be installed a minimum of 18" away from the appliance or it will overheat, causing damage to the timer and may result in a leak.
- Box MUST be installed within 6 feet of the appliance.
- Use pipe joint compound resistant to all gasses on all NPT fittings except flare fittings. Be sure to leak test at all connections.

Specifications

- Box dimensions: 8" W x 7 1/4" H x 3" D
- 100,000 B.T.U., Natural Gas @ 0.6 SP. @ 7" w.c.
- 100,000 B.T.U., Propane Gas @ 1.53 SP. @ 11" w.c.
- Maximum working pressure not to exceed 1/2 P.S.I.G.
- Maximum ambient operating range: from 0° F (-18° C) to 150° F (65.6° C).

Gas Supply Plumbing Requirements

The gas pipe must extend 5/8" - 3/4" past the finished wall surface (substrate) as shown in Fig. 1-2.

Important: The center of the pipe must be at least 12" (see Fig. 1-3) from any adjacent walls to allow the fully assembled valve and box to rotate completely during install, if applicable. (Removing the valve assembly from the box will allow a 9" minimum from any adjacent walls.)

To remove the valve assembly from the box: Unscrew and remove the two screws located on top of the box assembly (see Fig. 1-1).

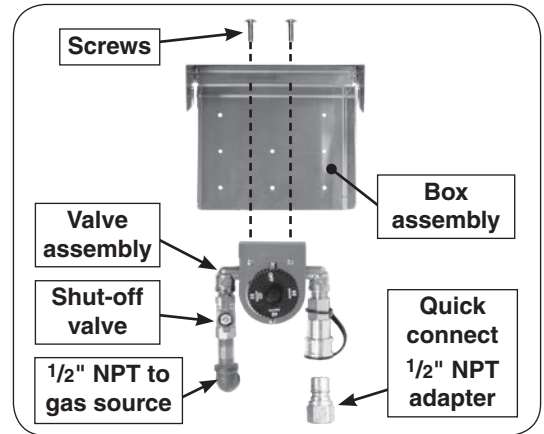


Fig. 1-1 Parts list

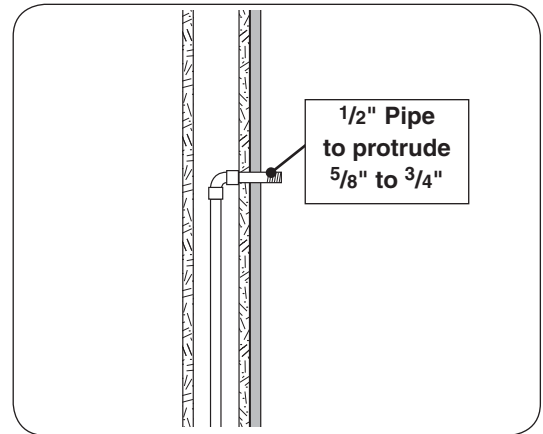


Fig. 1-2 Piping detail

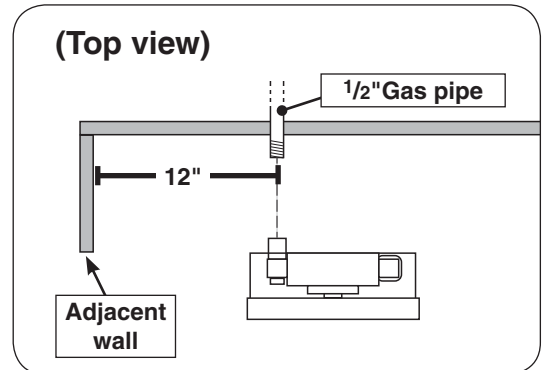


Fig. 1-3 Adjacent wall diagram

INSTALLATION

Follow ALL information found in this manual and in the gas appliance owner's manual.

1. Ensure the gas supply is properly routed to the install location (see Fig. 2-1). Your individual installation may vary. **Follow all information on the previous page, observe the National Fuel Gas Code and all local codes, and leak test all gas connections.**
2. Attach the valve assembly elbow to the gas pipe. Rotate the entire assembly clockwise until it is fully secured to the gas pipe. See Fig. 2-2. Use a pipe joint compound resistant to all gasses on the male pipe.
3. Carefully check *all* gas connections for leaks with a brush and soapy water before lighting. NEVER USE A MATCH OR OPEN FLAME TO TEST FOR LEAKS.
4. Re-install the box to the valve if previously removed.
5. Secure the box to the wall using the mounting holes provided on the rear of the box assembly and appropriate mounting hardware for your construction (not included). See Fig. 2-3.

Important: Avoid overtightening of wall fasteners to prevent box damage.

6. Sealant is recommended between the box enclosure and the wall, and the wall and piping that services the outlet, to prevent any leaking gas from entering the wall cavity.
7. Attach the quick connect $\frac{1}{2}$ " NPT flare adapter to the gas line coming from your outdoor appliance.
8. Connect the other end of the adapter to the quick connector located inside the box assembly (see Fig. 2-4).

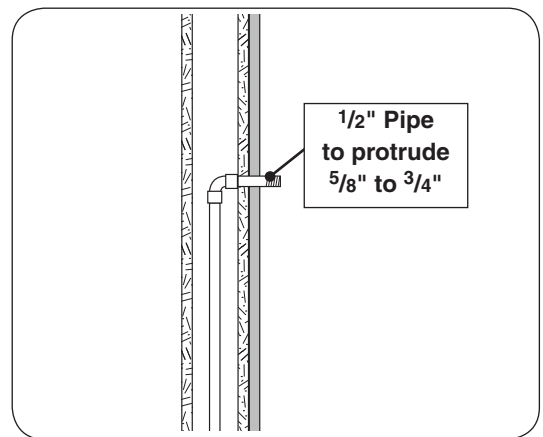


Fig. 2-1 Route gas supply

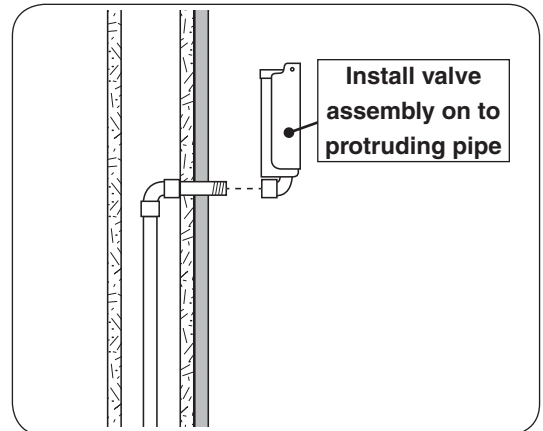


Fig. 2-2 Install valve assembly

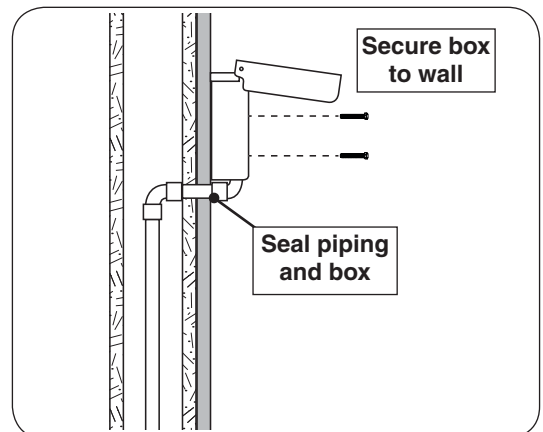


Fig. 2-3 Install stainless steel box

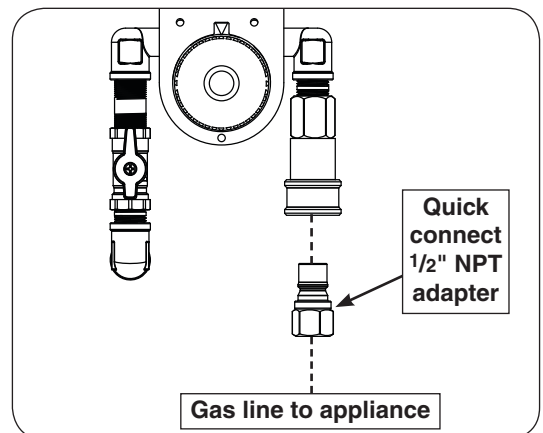


Fig. 2-4 Connect to gas line

OPERATION (1-hour model)

Open the shut-off valve located inside the box assembly and set the dial (turn clockwise) to the desired time to shut off. The dial is marked in 3 twenty minute increments (any position in between is an estimate of that set time). The timer dial will auto rotate (counter-clockwise) and will shut off the gas supply when the dial reaches OFF (i.e. the time is completed).

Important: When using the timer for periods of less than twenty minutes, you must first set the dial to 20 minutes (to activate), then return (counter-clockwise) to the desired amount of time. This will ensure proper timer operation. See Fig. 3-1.

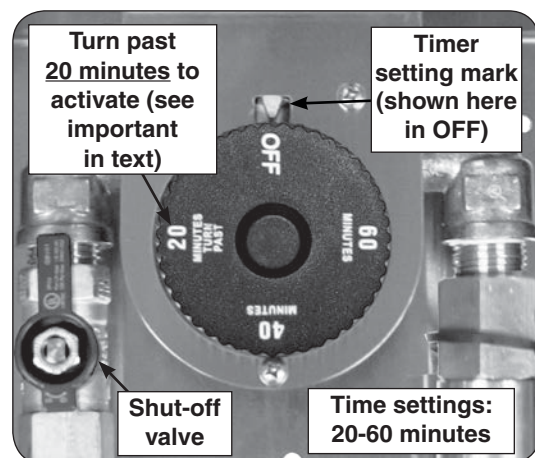


Fig. 3-1 1-hour timer operation

OPERATION (3-hour model)

Open the shut-off valve located inside the box assembly and set the dial (turn clockwise) to the desired time to shut off. The dial is marked in 3 one hour increments (any position in between is an estimate of that hour). The timer dial will auto rotate (counter-clockwise) and will shut off the gas supply when the dial reaches OFF (i.e. the time is completed).

Important: When using the timer for periods of less than one hour, you must first set the dial to 1 hour (to activate), then return (counter-clockwise) to the desired amount of time. This will ensure proper timer operation. See Fig. 3-2.

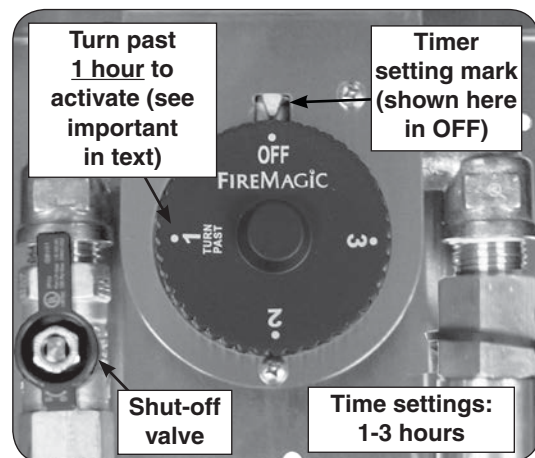


Fig. 3-2 3-hour timer operation

CAUTION: Always leave the shut-off valve in the OFF position when not in use.

NOTES PAGE

Please use this page to record any information that you may want to have at hand.