



Gas Connection Box with Timer

Model # 5520-11T
5520-13T

INSTALLER: Leave these instructions with consumer.
CONSUMER: Retain for future reference.



3-Hour model shown

This timer box can be installed in a Fire Magic GFRC island, or a custom-built enclosure.

INSTALLATION REQUIREMENTS

- Box **MUST** be installed in accordance with local codes or, in the absence of local codes, in accordance with the National Fuel Gas Code ANSI Z223.1/NFPA54, or the Natural Gas & Propane Installation Code, CSA B149.1, as applicable.
- Box **MUST** be installed in a grill enclosure in such a way that it is easily accessible to the rear of the box for gas connection, maintenance, and service.
- Fire Magic GFRC islands meet all enclosure and ventilation requirements. For requirements regarding custom-built enclosures, see the GRILL ENCLOSURE / VENTILATION REQUIREMENTS section of your grill owner's manual. Observe all codes.
- Box **MUST** be installed in-line between the shut-off valve and the gas appliance.
- Box **MUST** be installed a minimum of 10" away from the appliance or it will overheat, causing damage to the timer and may result in a leak.
- Box **MUST** be installed within 6 feet of the appliance.
- Use pipe joint compound resistant to all gasses on all NPT fittings **except flare fittings**. Be sure to leak test at all connections.

Specifications

- Box dimensions: 7³/₄" W x 7³/₄" H x 2¹/₂" D
- 100,000 B.T.U., Natural Gas @ 0.6 SP. @ 7" w.c.
- 100,000 B.T.U., Propane Gas @ 1.53 SP. @ 11" w.c.
- Maximum working pressure not to exceed 1/2 P.S.I.G.
- Maximum ambient operating range: from 0° F (-18° C) to 150° F (65.6° C).

The gas hoses should be flexible/long enough to allow the box to be pulled out of the enclosure for leak testing during installation.

INSTALLATION

In addition to following the CONNECT GAS SUPPLY section of the gas appliance owner's manual, install the box in the gas supply line (between the shut-off valve and the appliance).

Follow **ALL** information found in the requirements section above, in the gas appliance owner's manual, in Fig. 1-1, Fig. 1-2, and on the following page.

Installation continued on next page

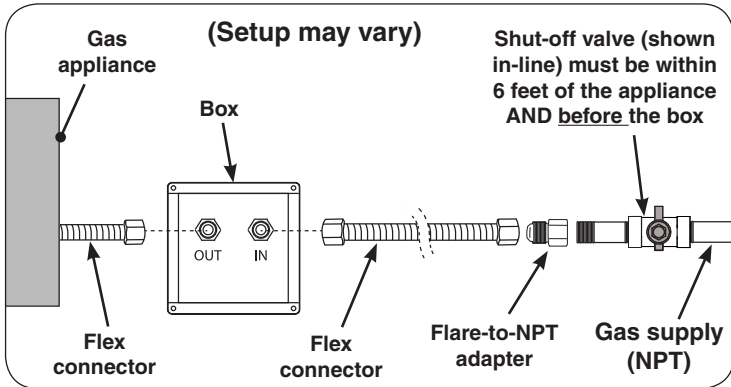


Fig. 1-1 Box installation overview

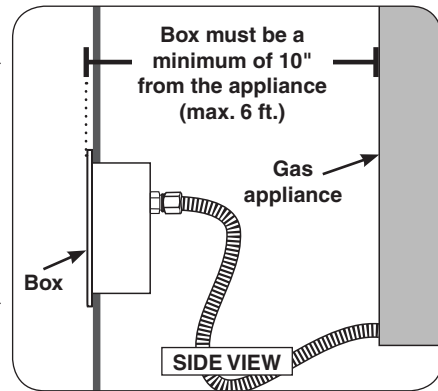


Fig. 1-2 Box clearance

INSTALLATION (Continued)

1. Create box cutout in grill enclosure (see Fig. 2-1).
2. Using two wrenches, connect the flex connector coming from the appliance to the 1/2" flare adapter labeled **OUT**. See Fig. 2-2, A. Ensure the connection is tightened securely.
3. Using two wrenches, connect a flex connector (not included) to the 1/2" flare adapter labeled **IN**. See Fig. 2-2, B. Ensure the connection is tightened securely.
4. Carefully check *all* gas connections for leaks with a brush and soapy water before lighting. **NEVER USE A MATCH OR OPEN FLAME TO TEST FOR LEAKS.**
5. Install box and secure to enclosure. Mounting hardware not included.

OPERATION (1-hour model)

To use, set the dial (turn clockwise) to the desired time to shut off. The dial is marked in 3 twenty minute increments (any position in between is an estimate of that set time). The timer dial will auto rotate (counter-clockwise) and will shut off the gas supply when the dial reaches OFF (i.e. the time is completed).

Important: When using the timer for periods of less than twenty minutes, you must first set the dial to 20 minutes (to activate), then return (counter-clockwise) to the desired amount of time. This will ensure proper timer operation. See Fig. 2-3.

OPERATION (3-hour model)

To use, set the dial (turn clockwise) to the desired time to shut off. The dial is marked in 3 one hour increments (any position in between is an estimate of that hour). The timer dial will auto rotate (counter-clockwise) and will shut off the gas supply when the dial reaches OFF (i.e. the time is completed).

Important: When using the timer for periods of less than one hour, you must first set the dial to 1 hour (to activate), then return (counter-clockwise) to the desired amount of time. This will ensure proper timer operation. See Fig. 2-4.

CAUTION: Always leave the shut-off valve in the OFF position when not in use.

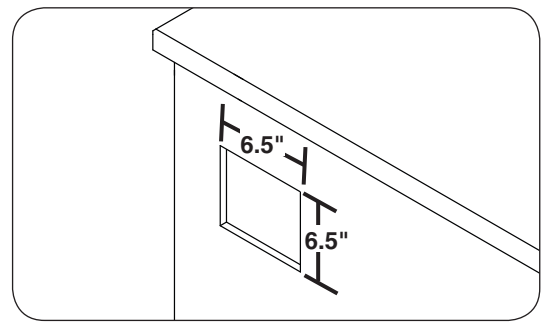


Fig. 2-1 Cut out dimensions

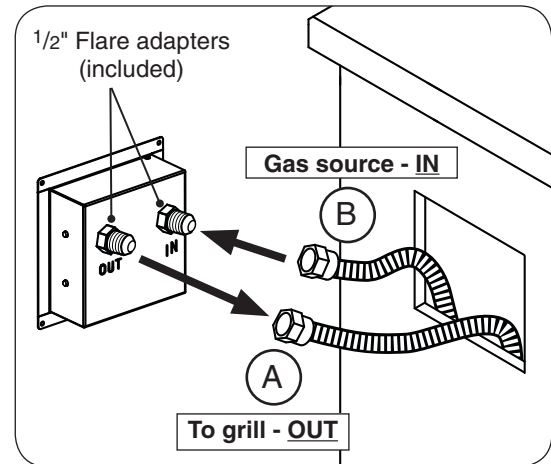


Fig. 2-2 Install timer box

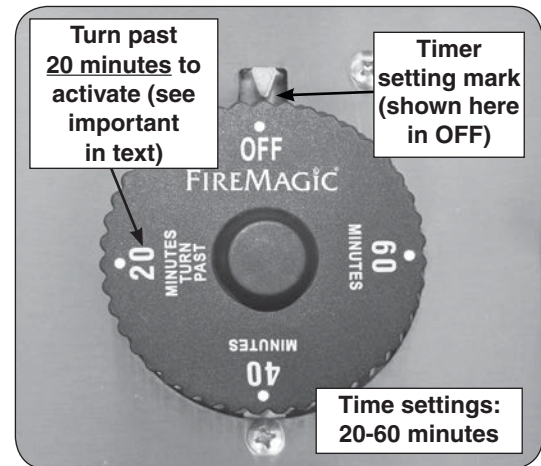


Fig. 2-3 1-Hour timer operation

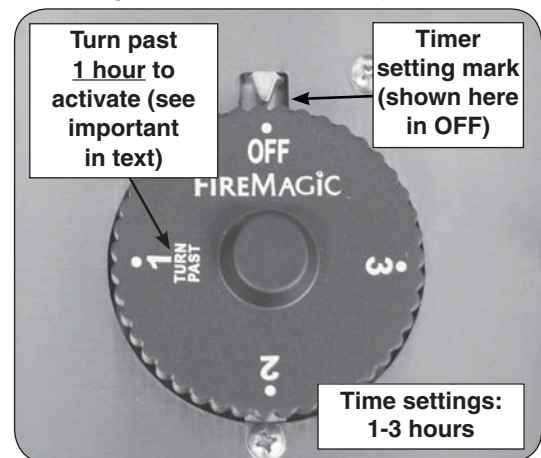


Fig. 2-4 3-Hour timer operation