

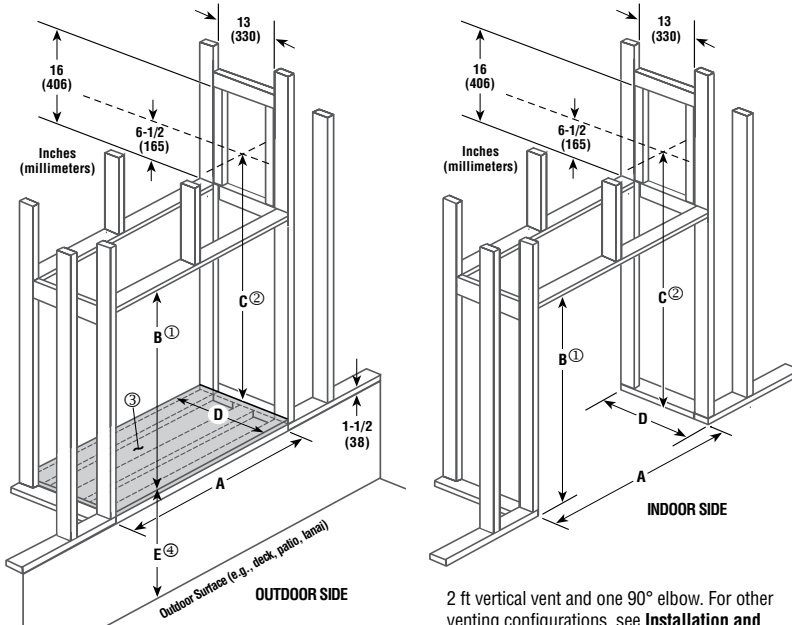
DRT63ST-B

SEE-THROUGH DIRECT-VENT FIREPLACE

	A	B ①	C ②	D	E ④
in	52-1/8	47-3/8	75-1/2	26-3/8	6
(mm)	(1324)	(1203)	(1918)	(668)	(152)

Framing Should be constructions of 2 x 4 or larger lumber.

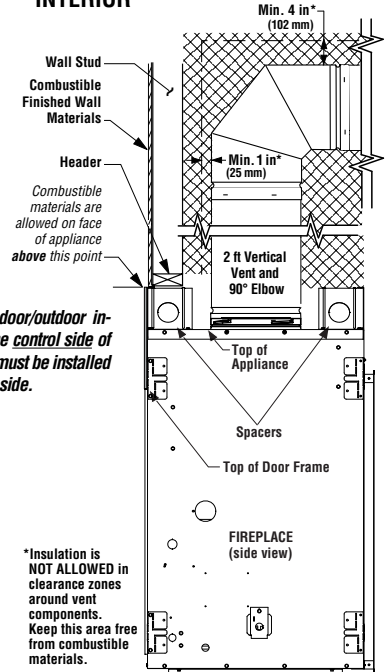
Framing Dimensions



- ① Dimension B is from fireplace base to top framing member.
- ② Dimension C is from fireplace base to centerline of horizontal vent pipe. Minimum vent framing:

- ③ 2 ft vertical vent and one 90° elbow. For other venting configurations, see **Installation and Operation Manual**.
- ④ 1/2" board for platform (shown in gray).
- ⑤ Dimension E is a 6" clearance from fireplace base to outdoor surface (e.g., deck, patio, lanai) that is required as a moisture barrier (not a combustible clearance) on outdoor side only.

INTERIOR



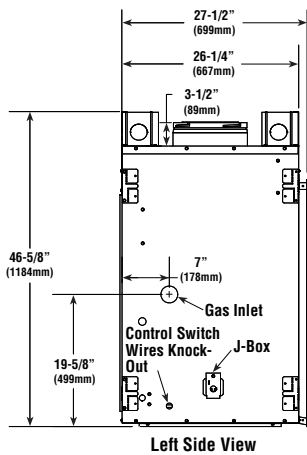
NOTE: For indoor/outdoor installations, the control side of the fireplace must be installed on the indoor side.

*Insulation is NOT ALLOWED in clearance zones around vent components. Keep this area free from combustible materials.

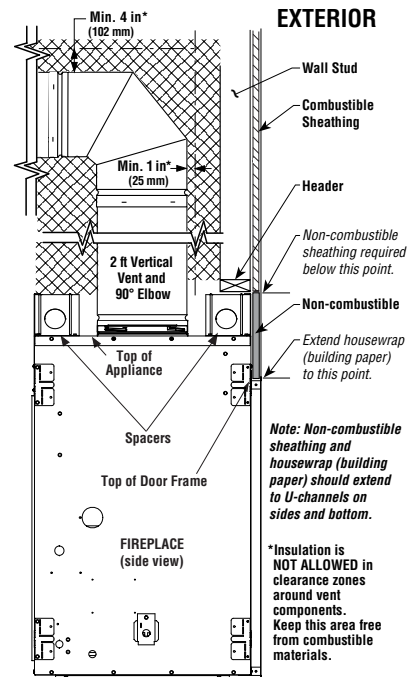
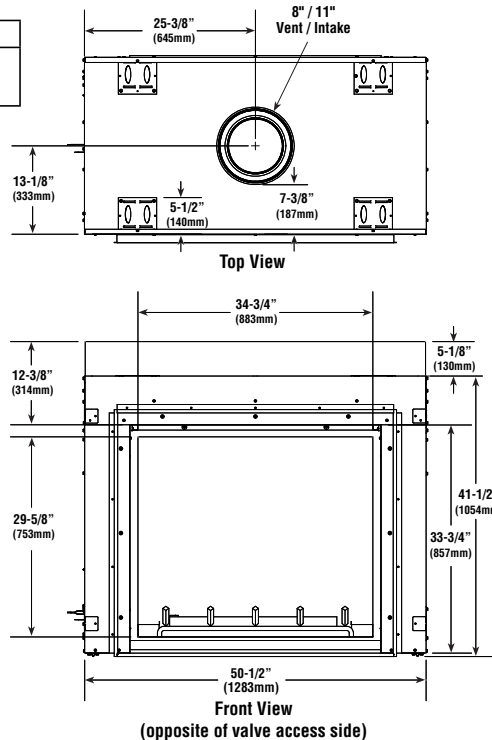
Wall Finishing

Fireplace Dimensions

Vent Size	
Co-axial DV Collar on Fireplace -	8" Inner / 11" Outer



Unit Dimensions
(Shown with Outdoor Kit Installed)



Note: Non-combustible sheathing and housewrap (building paper) should extend to U-channels on sides and bottom.

*Insulation is NOT ALLOWED in clearance zones around vent components. Keep this area free from combustible materials.

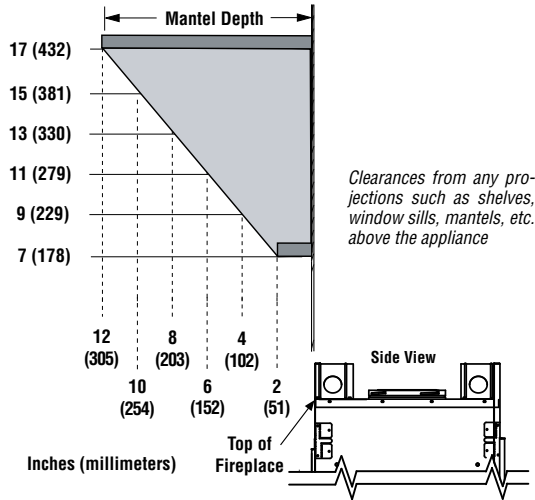
NOTE: DIAGRAMS & ILLUSTRATIONS ARE NOT TO SCALE.

DRT63ST-B

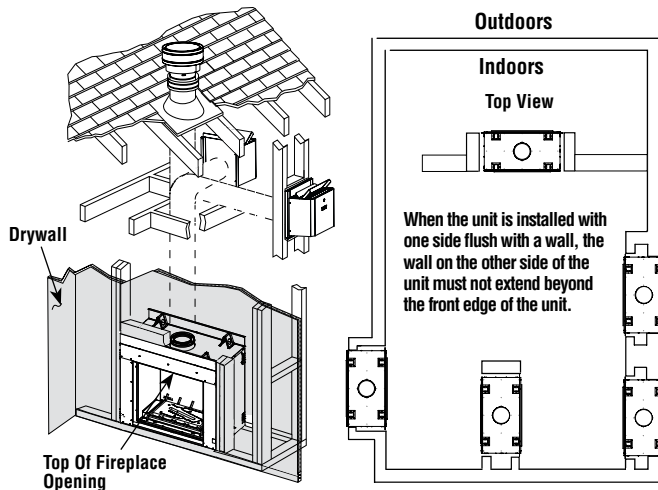
Product Information

Product Reference Information			
Cat. #	Model	Ship. Wt.	Ship. Volume
F4692	DRT63STTEN-B	383 lb.	52.2 cu. ft.

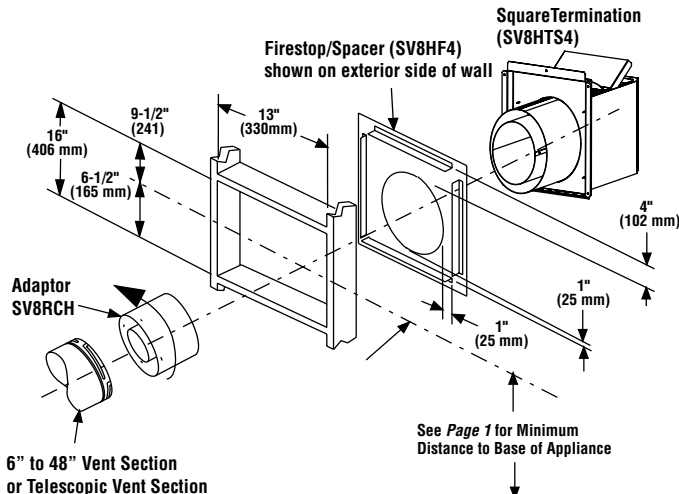
Mantel Clearances



Typical Installations



Horizontal Termination



Listing Information

Listed by PFS Corporation to to ANSI Z21.88 (in Canada, CSA-2.33), and CAN/CGA-2.17-M91 (CSA P4.1) in both USA and Canada, as a vented gas fireplace.

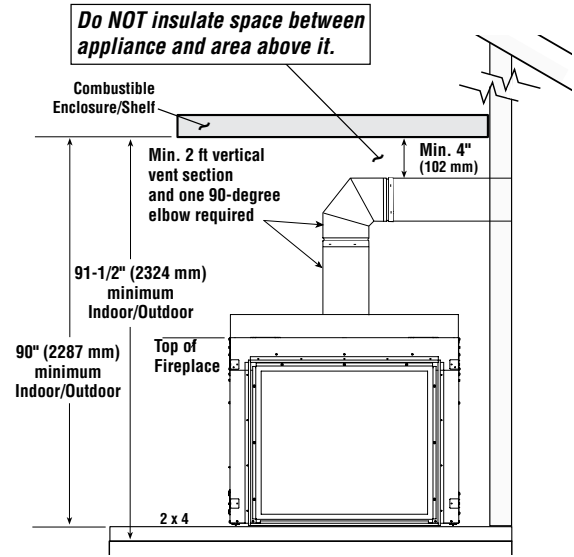


Report No. 14-107

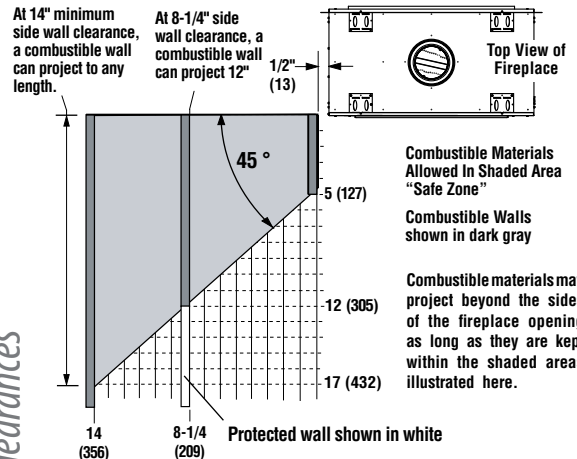
Inputs (BTU/hr)		
Model	Fuel	Inputs (BTU/hr)
DRT63STTEN-B	NG	37,000 to 57,000
DRT63STTEP-B*	LP	40,000 to 50,000

* Available through field conversion only.

Shelf Height



Minimum Clearances



Minimum Clearances - Inches (millimeters)	
Back / Sides	0 (0) Spacers/Standoffs
Floor	0 (0)
Bottom of Appliance To Ceiling	72 (1829)
Vent	4 (102) Top, 1 (25) Sides & Bottom
Service Clearances	
Front	36" (914 mm)

NOTE: Diagrams, illustrations and photographs are not to scale - consult installation instructions. Product designs, materials, dimensions, specifications, colors and prices are subject to change or discontinuance without notice.