

INSTALLATION INSTRUCTIONS HEAT MANAGEMENT SYSTEMS KIT

INSTALLER:

Leave this manual with the appliance.

CONSUMER:

Retain this manual for future reference.

⚠ WARNING

FIRE OR EXPLOSION HAZARD

Failure to follow safety warnings exactly could result in serious injury, death or property damage.

- Do not store or use gasoline or other flammable vapors and liquids in the vicinity of this or any other appliance.
- **WHAT TO DO IF YOU SMELL GAS**
 - Do not try to light any appliance.
 - Do not touch any electrical switch; do not use any phone in your building.
 - Leave the building immediately.
 - Immediately call your gas supplier from a neighbor's phone. Follow the gas supplier's instructions.
 - If you cannot reach your gas supplier, call the fire department.
- Installation and service must be performed by a qualified installer, service agency or the gas supplier.

HMFA-1 FORCED AIR HEAT MANAGEMENT SYSTEMS KIT

FOR USE WITH
DIRECT-VENT
FIREPLACE
MODELS:

GAS-FIRED
C  US
LISTED
UL FILE NO.
MH30033

DVLL(36,48,60,72)BP
DVL(36,46)BP

DVCT(36,40,50)CBP
DVCT40CSP

⚠ WARNING

If not installed, operated and maintained in accordance with the manufacturer's instructions, this product could expose you to substances in fuel or from fuel combustion which can cause death or serious illness.



We suggest that our gas hearth products be installed and serviced by professionals who are certified in the U.S. by the National Fireplace Institute® (NFI) as NFI Gas Specialist.

CAUTION

Due to sharp edges and the weight of the assembly, please use proper eye protection and gloves to reduce the potential for injuries.

TOOLS NEEDED:

- Phillips Screwdriver
 - Flathead Screwdriver
 - 5/16", 3/8" Nut Drivers
 - Metal Snips
 - Utility Knife
- Other miscellaneous tools commonly used for framing and wiring.

INTRODUCTION

The Forced Air Heat Management system (HMFA) is designed to be installed in conjunction with specific Empire Comfort Systems Fireplaces, to reduce the amount of heat produced during operation of the fireplace. This system includes a variable

speed controlled blower that will deliver a desired percentage of the heat produced by the fireplace to the exterior of the building.

CONTENTS:

1. Blower w/Base Assembly (1 ea.)
2. Outer Termination Assembly (1 ea.)
3. 6" Diameter Collar w/Flange (2 ea.)
4. 6" X 6" X 6" "Y" Duct Connector (1 ea.)
5. 6" Diameter Adapter ("Y" to Flex Connection) (1 ea.)
6. Band Clamp (4 ea.)
7. Rheostat (Variable Speed Control) w/Knob (1 ea.)
8. Junction Box w/Cover (1 ea.)
9. Hardware Pack (1 ea.)

NOTE: Flex venting is not included with HMFA kit. Please order the SD6DFA25 Flex Vent kit which includes 25' foot of Flex Vent and (2) Band clamps to complete the system

MAKE-UP AIR REQUIREMENT

When in operation, the HMFA Forced Air Heat Management System will deliver a percentage of heated air from the fireplace to the exterior of the building. Because a certain amount of air will be removed from the building, it must be replaced with fresh make-up air, to prevent negative pressure from building up inside the structure.

Some central furnaces include make-up air dampers. If a make-up air damper is included with the furnace, check the damper for proper function and operation. There are variations in central furnace make-up dampers, therefore, you must check to see if the existing system is compatible. Some systems are designed to operate if a negative pressure is detected inside the building.

Other systems are designed to operate only while the central furnace blower is operating, and would therefore require an additional make-up air damper system be installed.

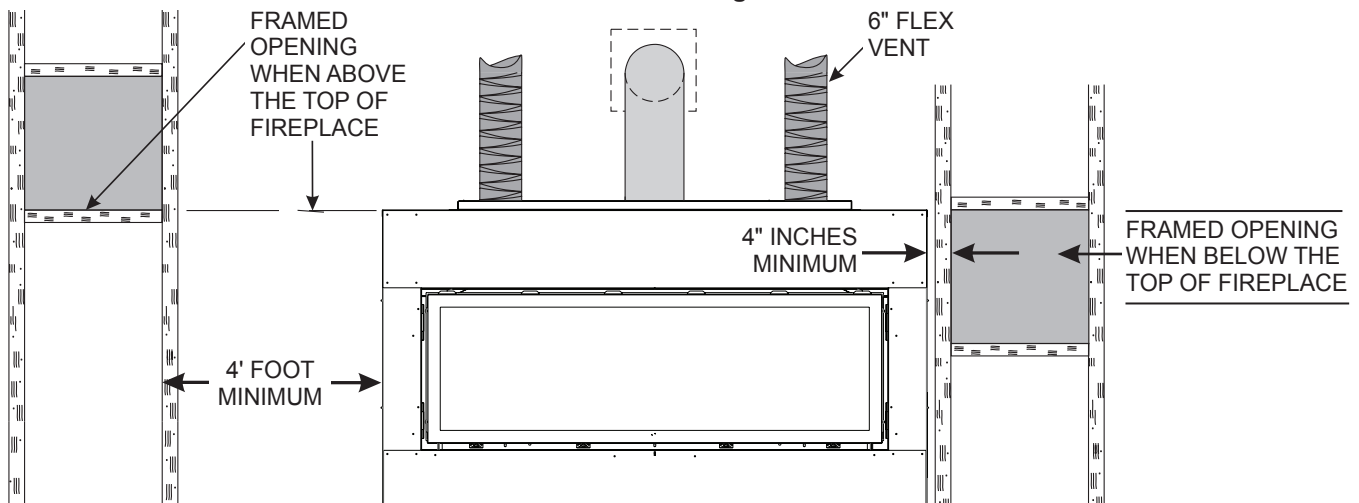
Make-up Air Dampers are available at local HVAC supply stores or contractors. The Make-up Air Damper shall be sized based on the potential amount of cubic air to be expelled. The HMFA system has the potential of expelling 150 CFM.

If installing a Make-up Air Damper, it is recommended that it be installed at the opposite end of the building. In addition, installation of the damper at a high level of a vaulted ceiling will help dilute the incoming cold air with the warmer air normally found near the ceiling.

LOCATING THE HEAT MANAGEMENT SYSTEM

1. Determine the location of the HMFA in relationship to the fireplace. Placement of the HMFA blower system in

relationship to the fireplace is indicated with minimum framed opening dimensions and vent length requirements as shown in **Figure 1-3**.



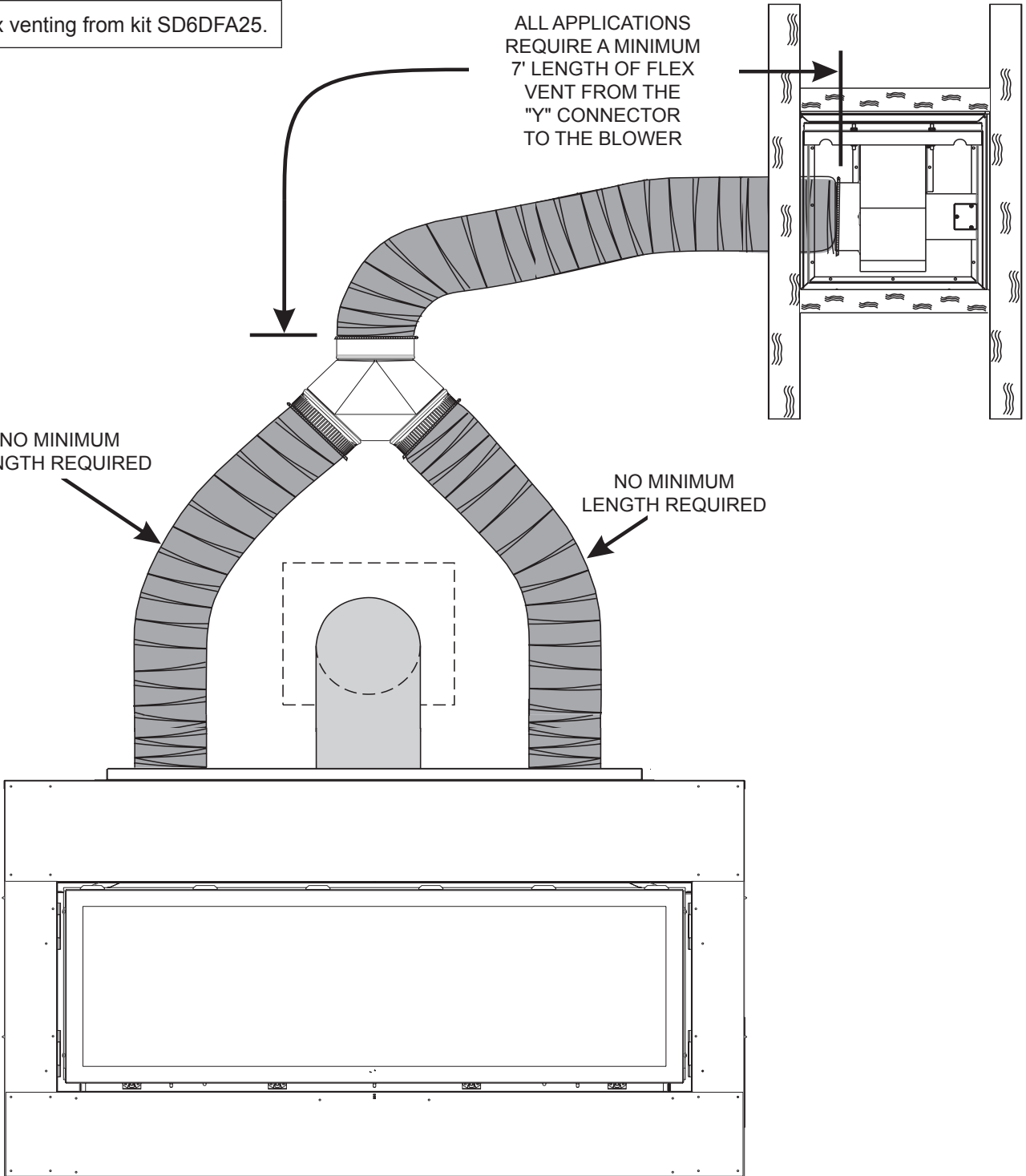
HMFA Framed Opening Framing Locations
Figure 1

NOTE: Flex venting from kit SD6DFA25.

ALL APPLICATIONS
REQUIRE A MINIMUM
7' LENGTH OF FLEX
VENT FROM THE
"Y" CONNECTOR
TO THE BLOWER

NO MINIMUM
LENGTH REQUIRED

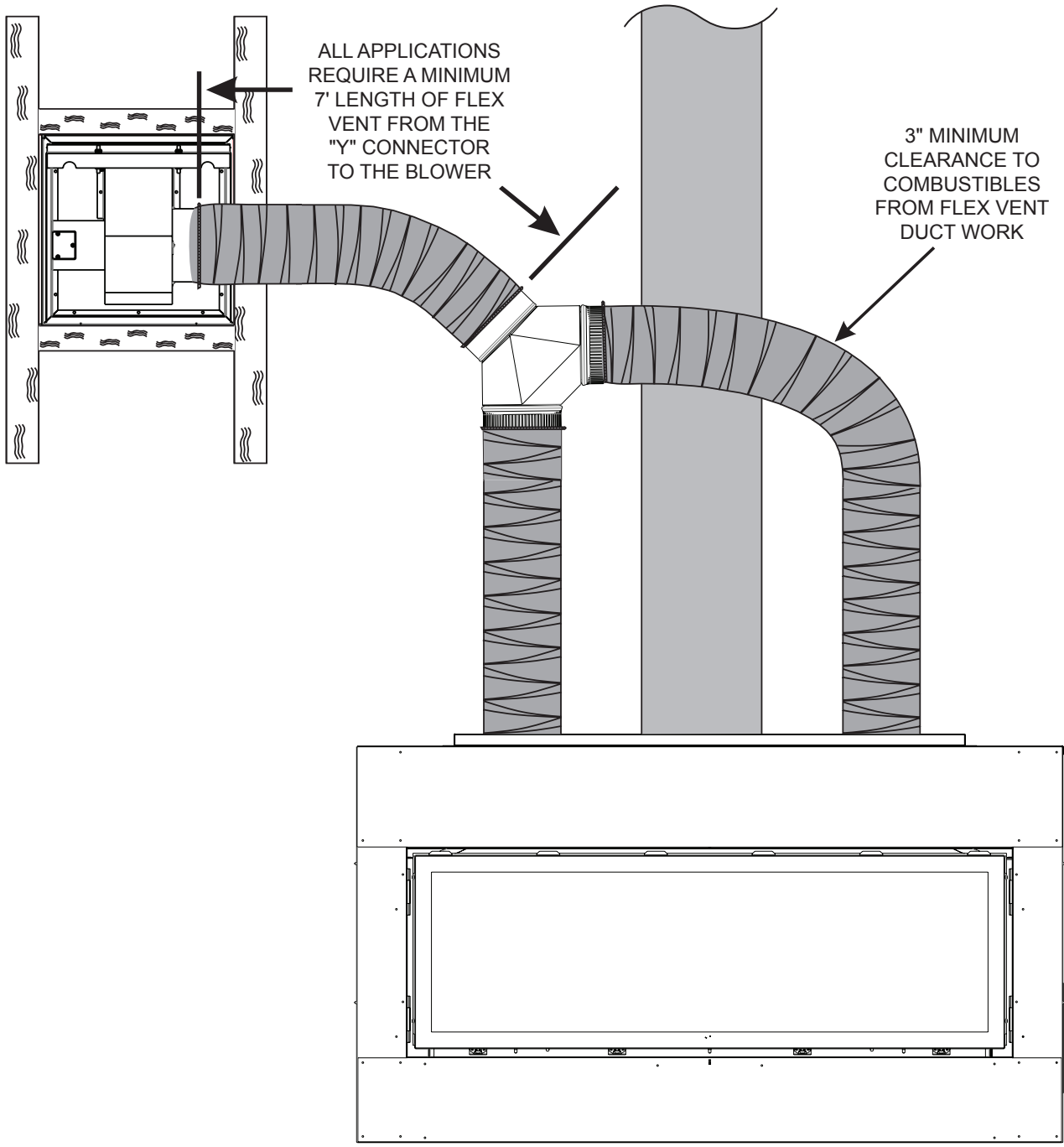
NO MINIMUM
LENGTH REQUIRED



Horizontal Vented Fireplace
Figure 2

⚠ CAUTION
Due to sharp edges and the weight of the assembly,
please use proper eye protection and gloves to reduce
the potential for injuries.

NOTE: Flex venting from kit SD6DFA25.



Vertical Vented Fireplace

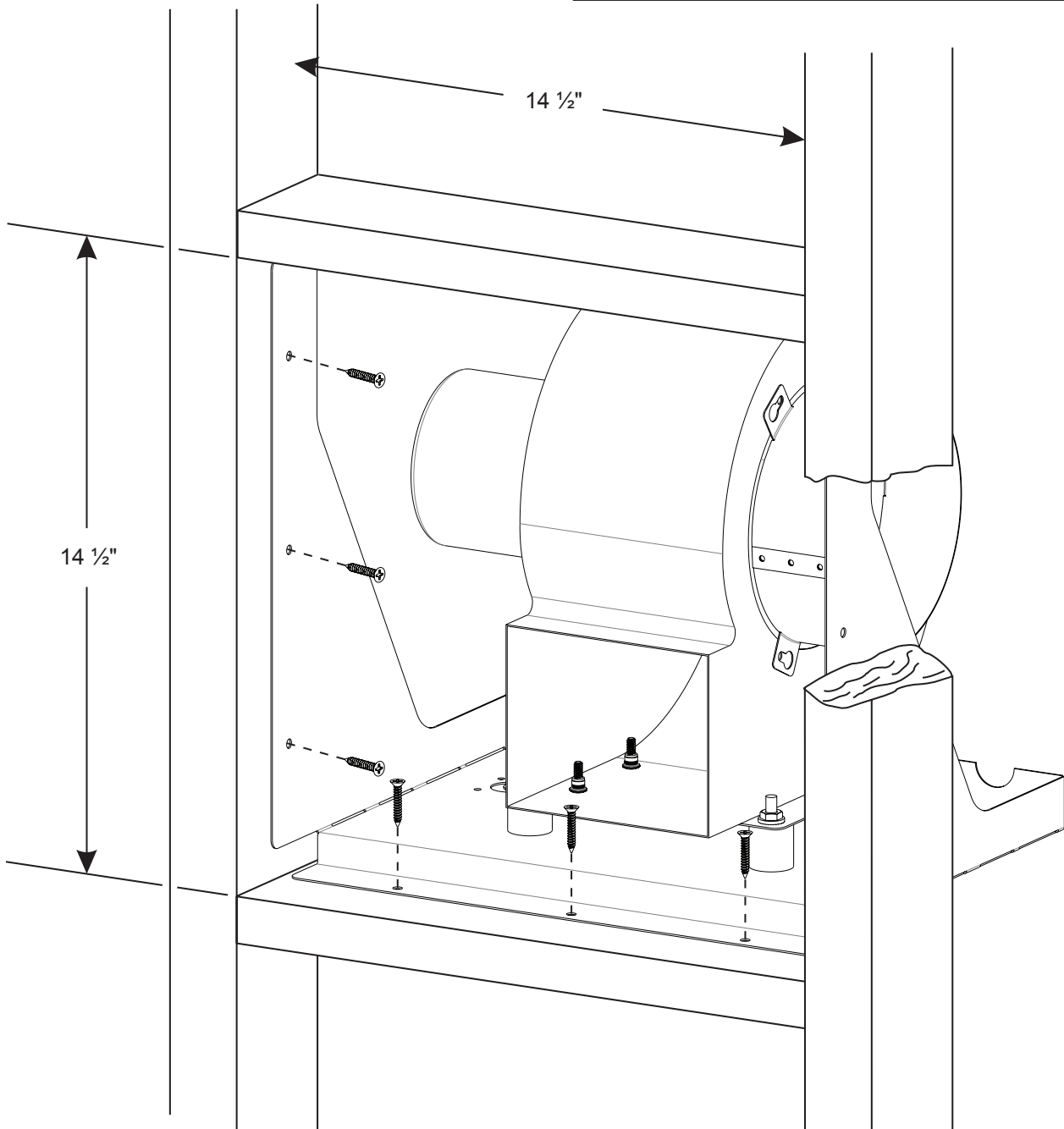
Figure 3

⚠ CAUTION
Due to sharp edges and the weight of the assembly, please use proper eye protection and gloves to reduce the potential for injuries.

2. It is recommended that the fireplace venting system be installed before the HMFA duct components are installed.
3. Other considerations such as planning the location for the junction box, field wiring, and internal placement of the rheostat to control the HMFA should be made. Refer to electrical connections on page 10.

4. The framed opening for installation of the HMFA is $14\frac{1}{2}$ " X $14\frac{1}{2}$ " in all applications. See Figure 4.

⚠ CAUTION
Due to sharp edges and the weight of the assembly, please use proper eye protection and gloves to reduce the potential for injuries.



Framing Install
Figure 4

- Once the framing is completed, install the Blower & Base assembly as shown in **Figures 5a - 5d**. The Blower & Base assembly can be installed in the wall in any of four positions which allows flexibility of the venting connection to the blower.

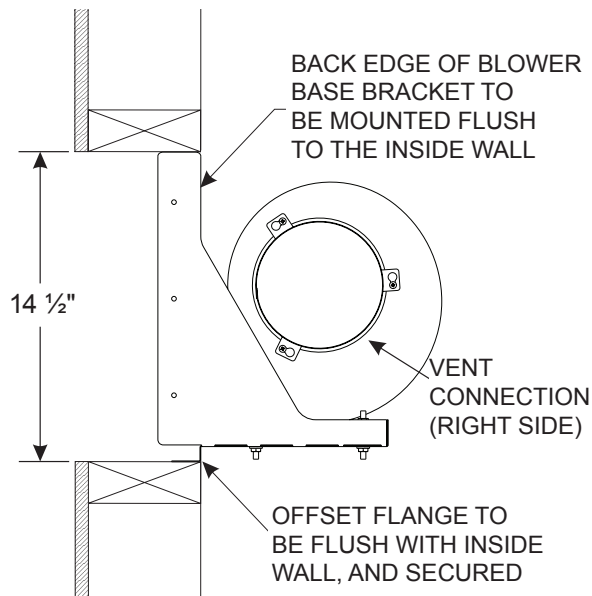


Figure 5a

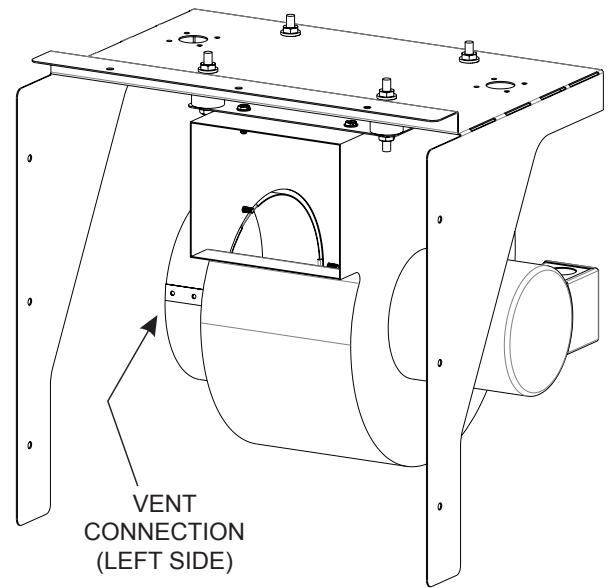


Figure 5c

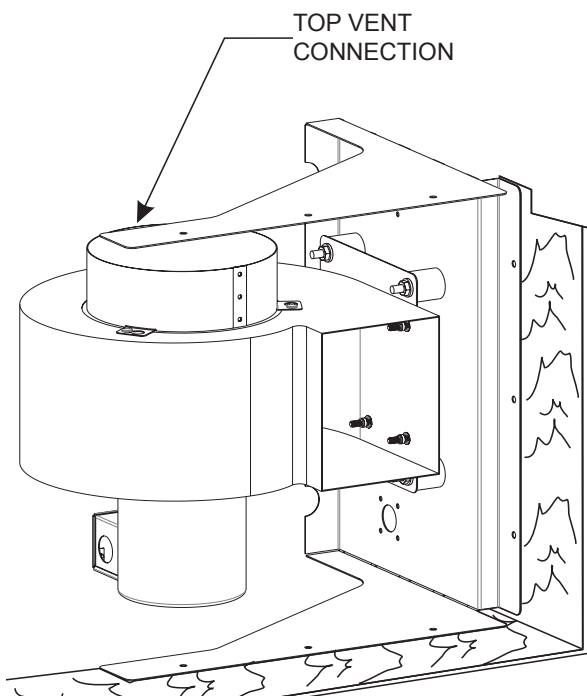


Figure 5b

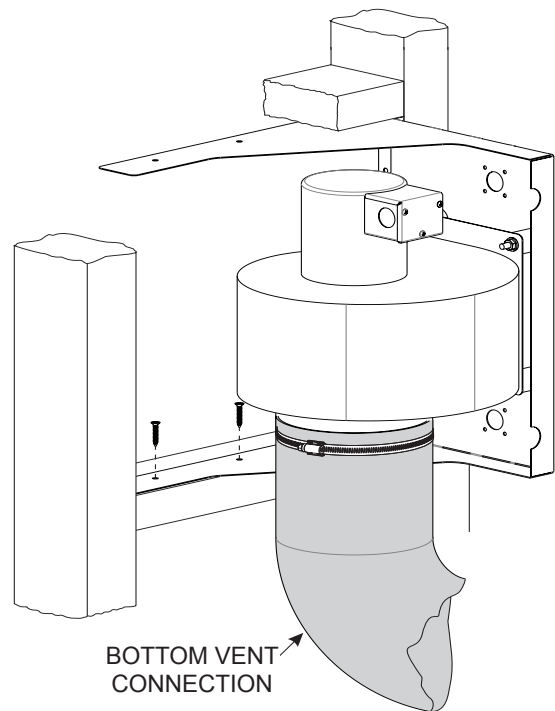


Figure 5d

- Place the offset flange of the Base against the back edge of the framed opening. In addition, align the back edge of the side brackets with the back edge of the framed opening. Secure the Blower & Base assembly with the (9) 1" long drywall screws provided as shown in **Figure 6**.

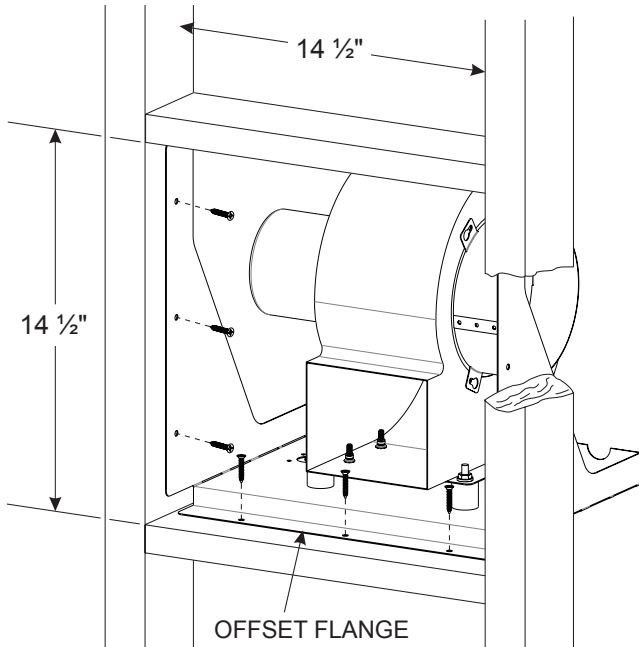


Figure 6

- Assemble (2) 6" diameter X 8" long collars with the collar flanges as shown in **Figure 8**. Attach the flange to the collar with (3) # 10 X 1/2" screws using the proper hole locations based on the particular fireplace model you have.

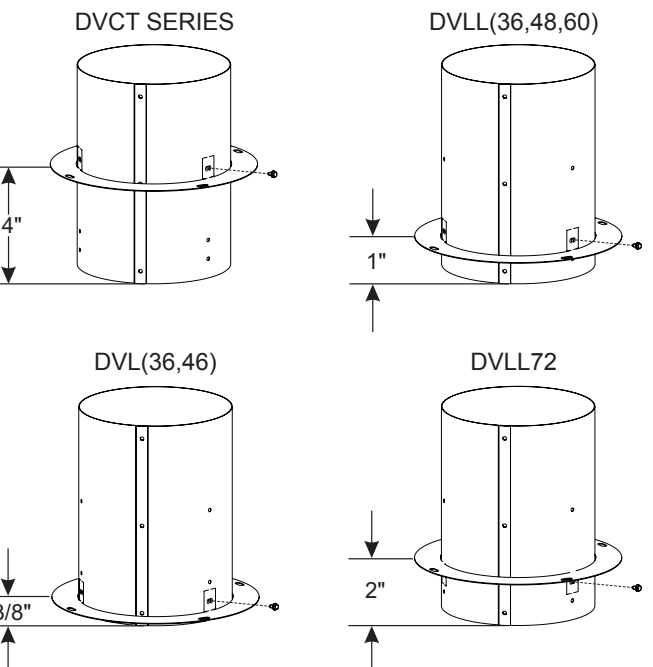


Figure 8

- Remove the (2) knockout holes on top of the fireplace that are located to either side of the vent system. Use a standard screwdriver and/or sheet metal snips to remove these knockouts. **See Figure 9**. Both vent openings must be used with the HMFA accessory.

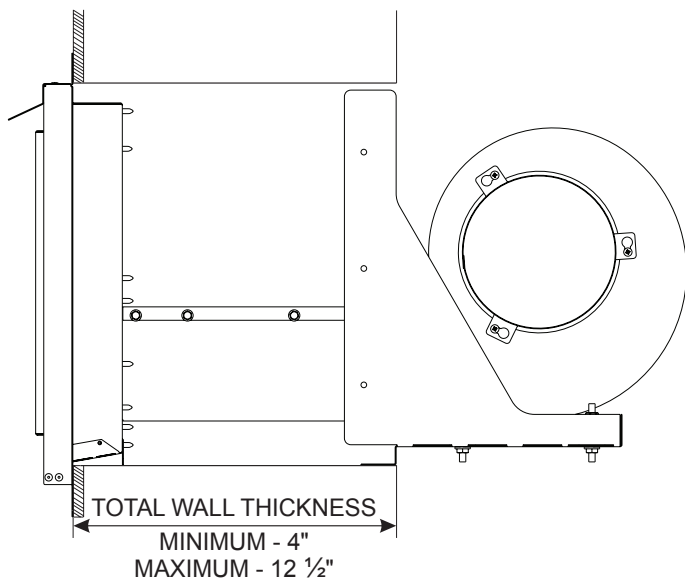


Figure 7

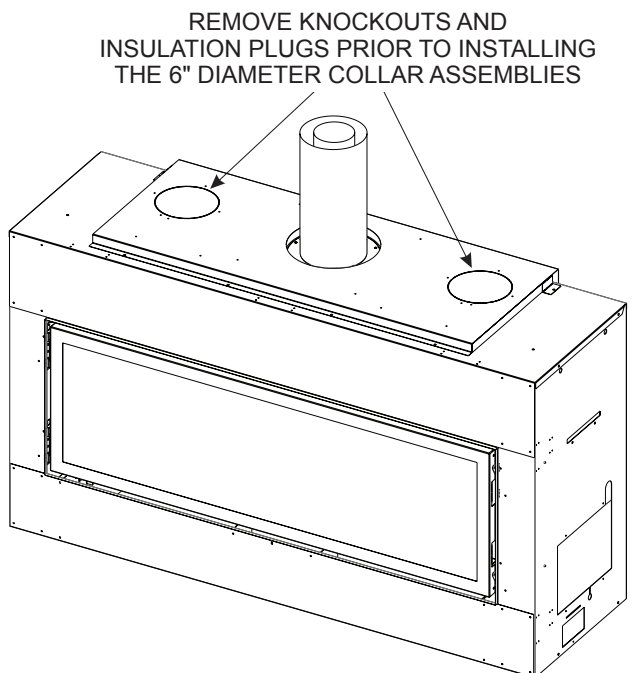


Figure 9

- Once the top metal knockouts are removed, an insulation plug will also be pulled out.

NOTE: on some models, it may be necessary to use a knife to cut the insulation plug out to the same diameter as the metal knockout hole.

After the insulation plugs are removed, additional metal knockouts must be removed from the inner heat shield using a standard screwdriver and/or sheet metal snips.

See Figure 10.

INSTALL EACH 6" COLLAR ASSEMBLIES TO THE FIREPLACE WITH (4) SCREWS PROVIDED # 10 X 1/2"

REMOVE KNOCKOUTS AND INSULATION PLUGS PRIOR TO INSTALLING THE 6" DIAMETER COLLAR ASSEMBLIES

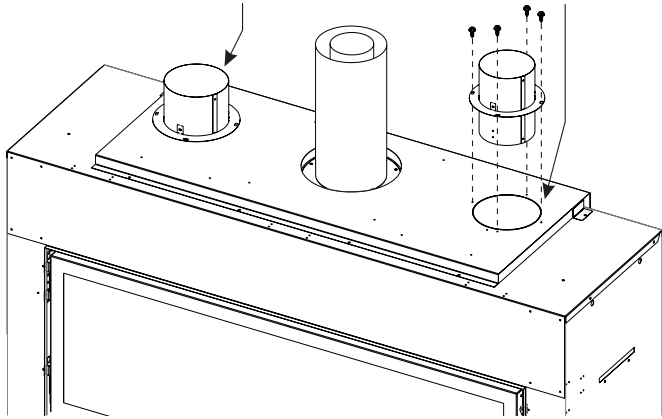


Figure 10

- Install the starter collar assemblies (from step# 7) to the fireplace. Insert the collars into the vent holes on top of the fireplace making sure the bottom of the collars are touching the inner heat shield, then install (4) # 10 X 1/2" screws to secure each collar assembly. **See figure 10.**

INSTALLATION OF THE FLEX VENTING

- Plan out the location of the "Y" adapter. Depending upon whether the fireplace is vented vertically or horizontally, will affect the placement of the "Y" adapter. The "Y" adapter and venting require a 3" clearance to combustible construction, therefore, wire or metal plumbers tape should be used to secure the flex venting as required.

See Figures 2 and 3.

- Install the 6" adaptor to the "Y" Branch Duct Connector with (3) # 10 X 1/2" Self-drilling screws. This is needed in order to connect the flex vent at each of the three openings. **See Figure 11.**

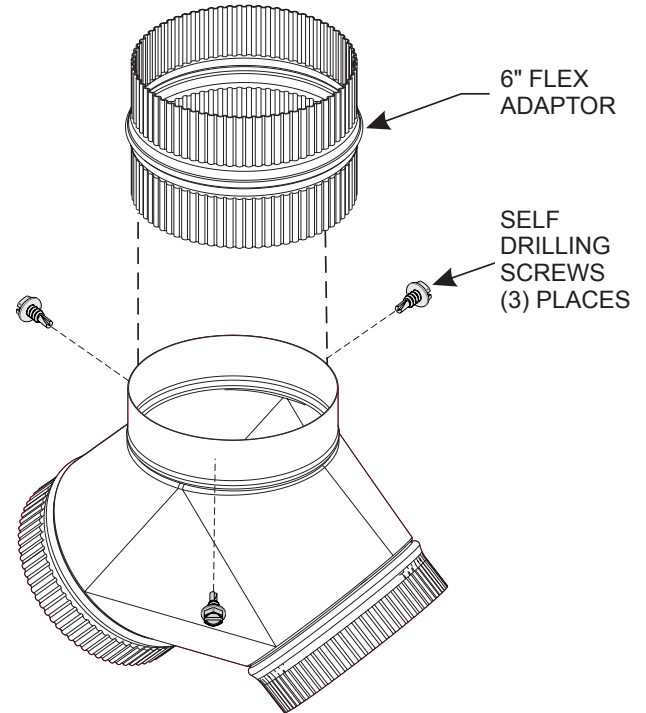
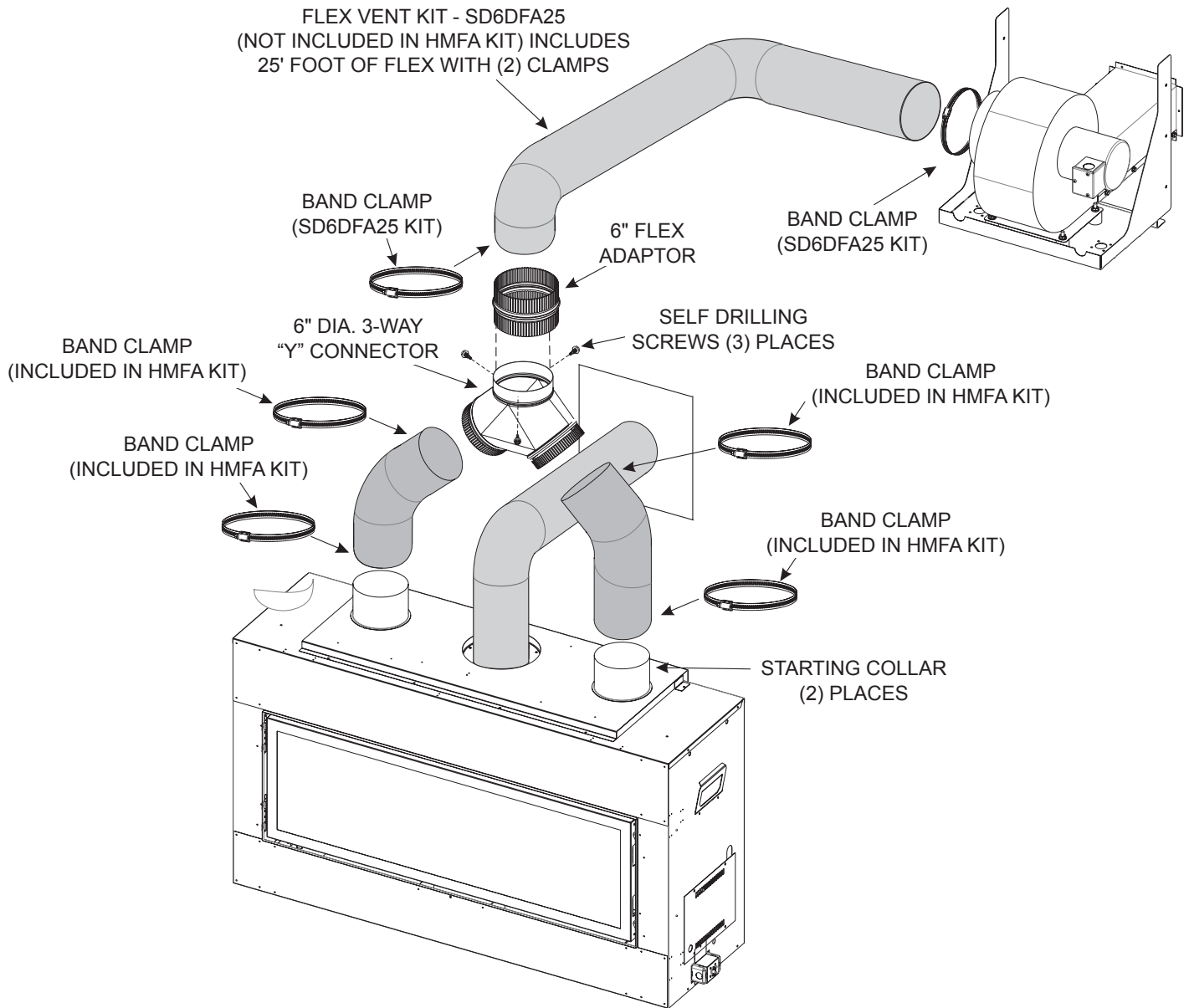


Figure 11

13. Using gloves, unstretch the 6" diameter flex venting from the SD6DFA25 Flex Vent kit.

CAUTION
Due to sharp edges and the weight of the assembly, please use proper eye protection and gloves to reduce the potential for injuries.

14. Measure and cut the length for the two flex vent sections that attach from the fireplace collars to the "Y" adaptor installed in step 10. Secure each flex vent section to the collars on top of the fireplace with a 7" diameter gear clamp. **See Figure 12.**
15. Attach and secure the "Y" adaptor to the two flex sections coming off the fireplace with 7" diameter gear clamps. **See Figure 12.**



Typical Installation
Figure 12

16. Measure, cut, and install the flex vent section that connects from the "Y" adapter to the inlet collar mounted on the Blower Housing. To secure, use the two 7" diameter band clamps provided in the SD6DFA25 Flex Vent kit. Refer to **Figures 12 and 13** for a typical venting installation.

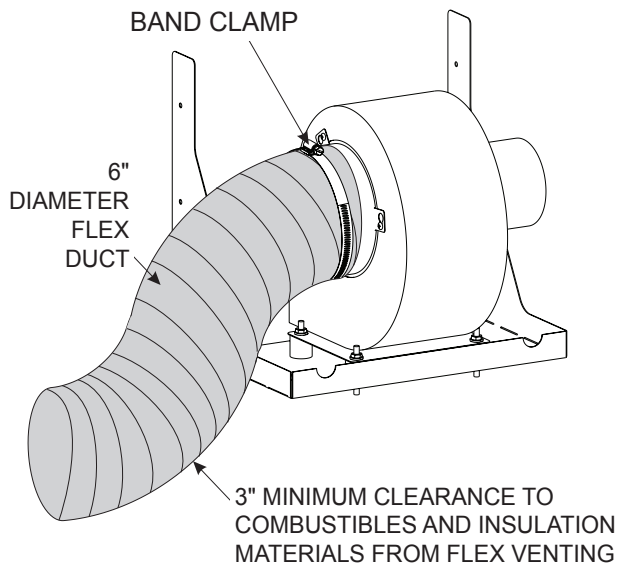


Figure 13

NOTE: Flex venting must be supported with wire or plumbers strapping at intervals that adequately support the vent pipe. 2-3' intervals are recommended.

ELECTRICAL CONNECTIONS

17. Mount the included metal junction box to the framing near the blower base within 2' foot so the flexible metal clad wire harness can be terminated and spliced into the 120 Volt electrical supply. **See Figure 14.**

NOTE: all electrical connections must be performed by a qualified electrician.

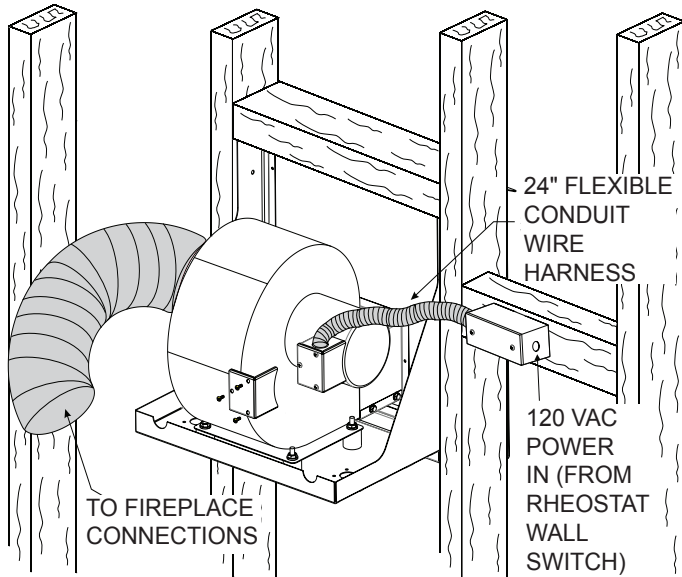


Figure 14

18. The electrician is responsible for performing all wiring from the blower to the wall mounted rheostat. The rheostat must be mounted in a standard wall box (not included).

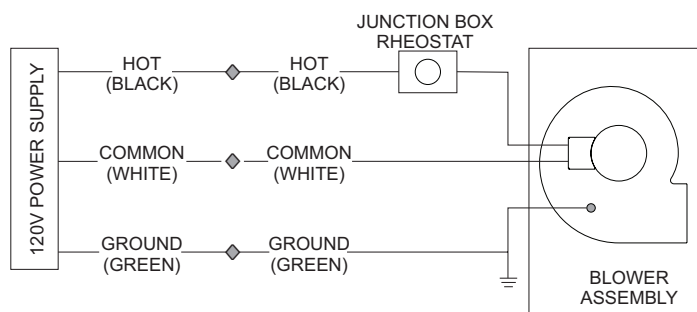
WIRING

⚠ WARNING

All wiring should be done by a qualified electrician, and shall be in compliance with local codes and with the current National Electric Code ANSI/NFPA 70 (in the U.S.), or with the current CSC22.1 Canadian Electric Code (in Canada).

⚠ WARNING

Make sure the fireplace electrical circuit is disabled prior to working on electrical hookup.



OUTER TERMINATION INSTALLATION

19. Install the Outer Termination into the 14 1/2" X 14 1/2" framed opening through the exterior wall of the building, then secure with 1" long drywall screws as shown in **Figure 15.**

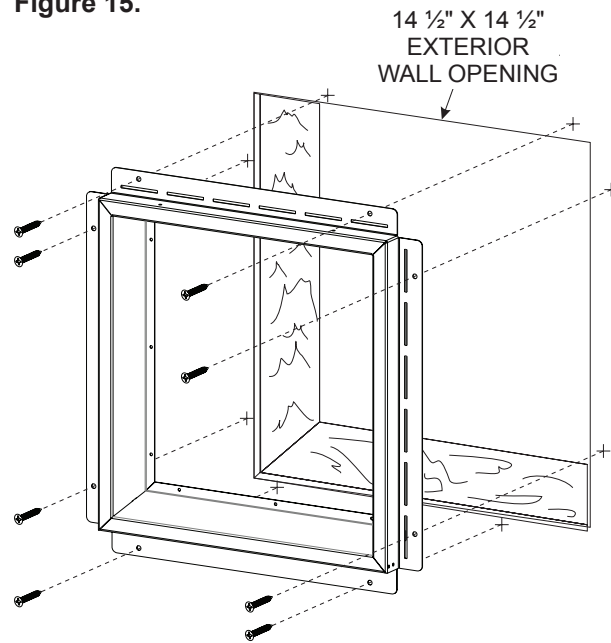


Figure 15

20. Locate the two halves of the Air Duct. To determine the length needed for this duct, take a measurement from the blower housing outlet to the inner flange on the Outer Termination Frame. **See Figure 16.**

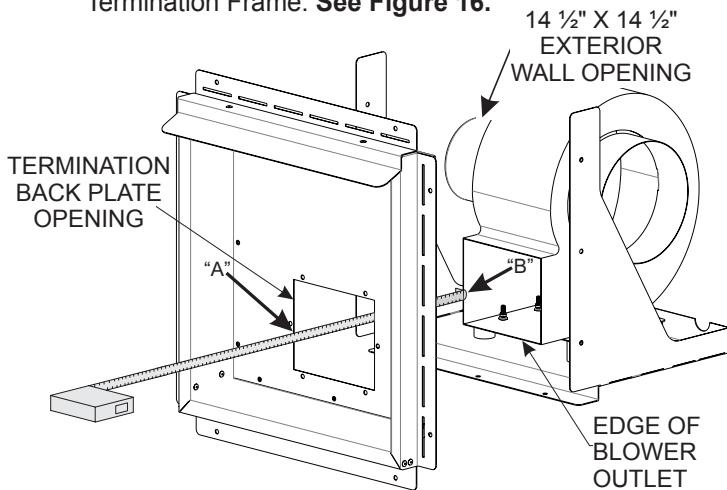


Figure 16

21. Add 1 1/4" to the dimension taken in step 20, then using metal snips, cut both halves of the Air Duct to length. **See Figure 17,** and discard the trimmed off ends.

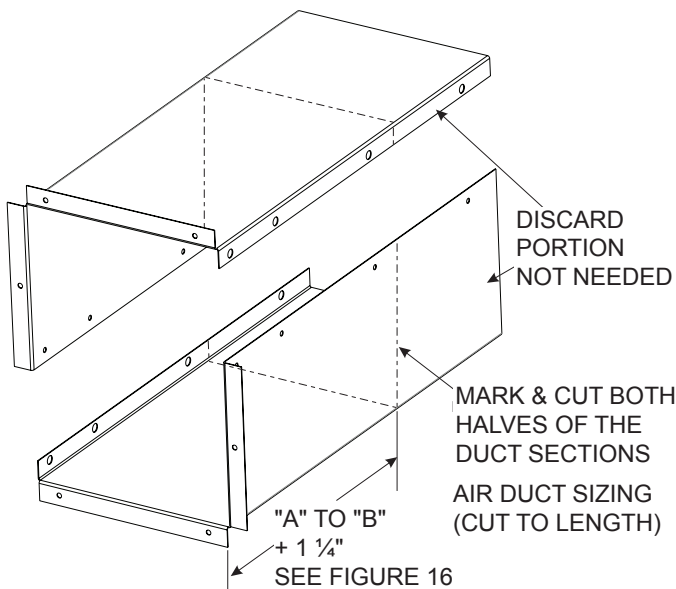


Figure 17

22. Using # 10 X 1/2" long Hex Head screws, join the two halves of the Air Duct together as shown in **Figure 18.**

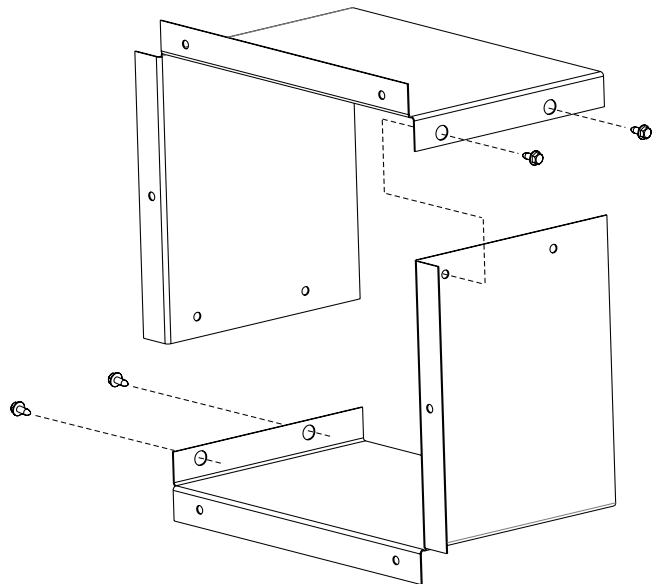
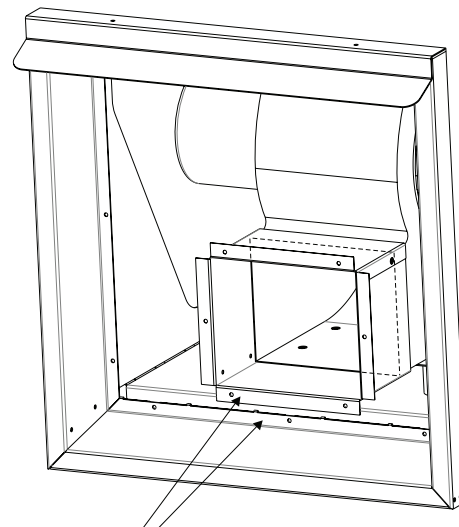


Figure 18

23. Install the cut end of the Air Duct over the Blower outlet. **See Figure 19.**

24. Check to see if the flanges of the Air Duct are flush with the bottom inside flange of the Outer Termination as shown by **Figure 19.** If too long, trim additional metal from the back edges of the Air Duct to fit.



ONCE THE AIR DUCT IS SLIPPED OVER THE BLOWER OUTLET, THE FLANGES OF THE DUCT MUST BE FLUSH WITH THE INNER FLANGES OF THE OUTER TERMINATION ASSEMBLY

Figure 19

25. Install the Termination Back Plate by aligning the large rectangular hole with the Air Duct. Using (6) # 10 X ½" screws, secure the Back Plate to the Air Duct. **See Figure 20.**

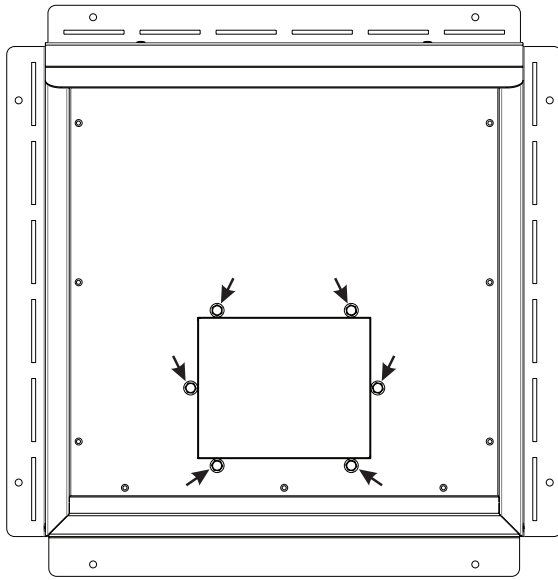


Figure 20

26. Secure the Back Plate to the Outer Termination with (8) # 10 X ½" screws. **See Figure 21.** Do not install the upper and lower side screws at this time.

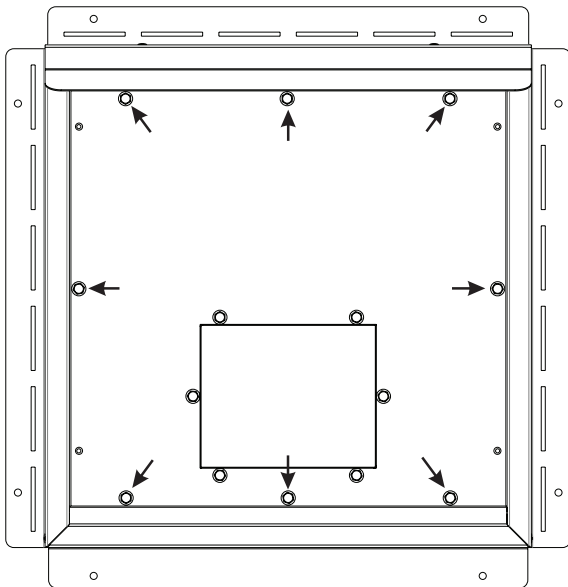


Figure 21

27. To install the Outer Cover and Screen, place the "U" shaped screen inside the Outer Cover, then place the Outer Cover into the Outer Termination frame. Using (4) # 10 X ½" screws, secure the Outer Cover to complete the installation. **See Figure 22.**

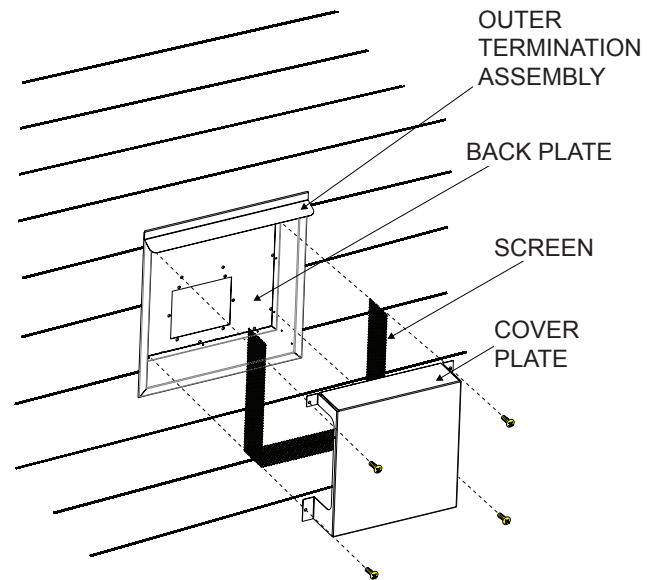


Figure 22

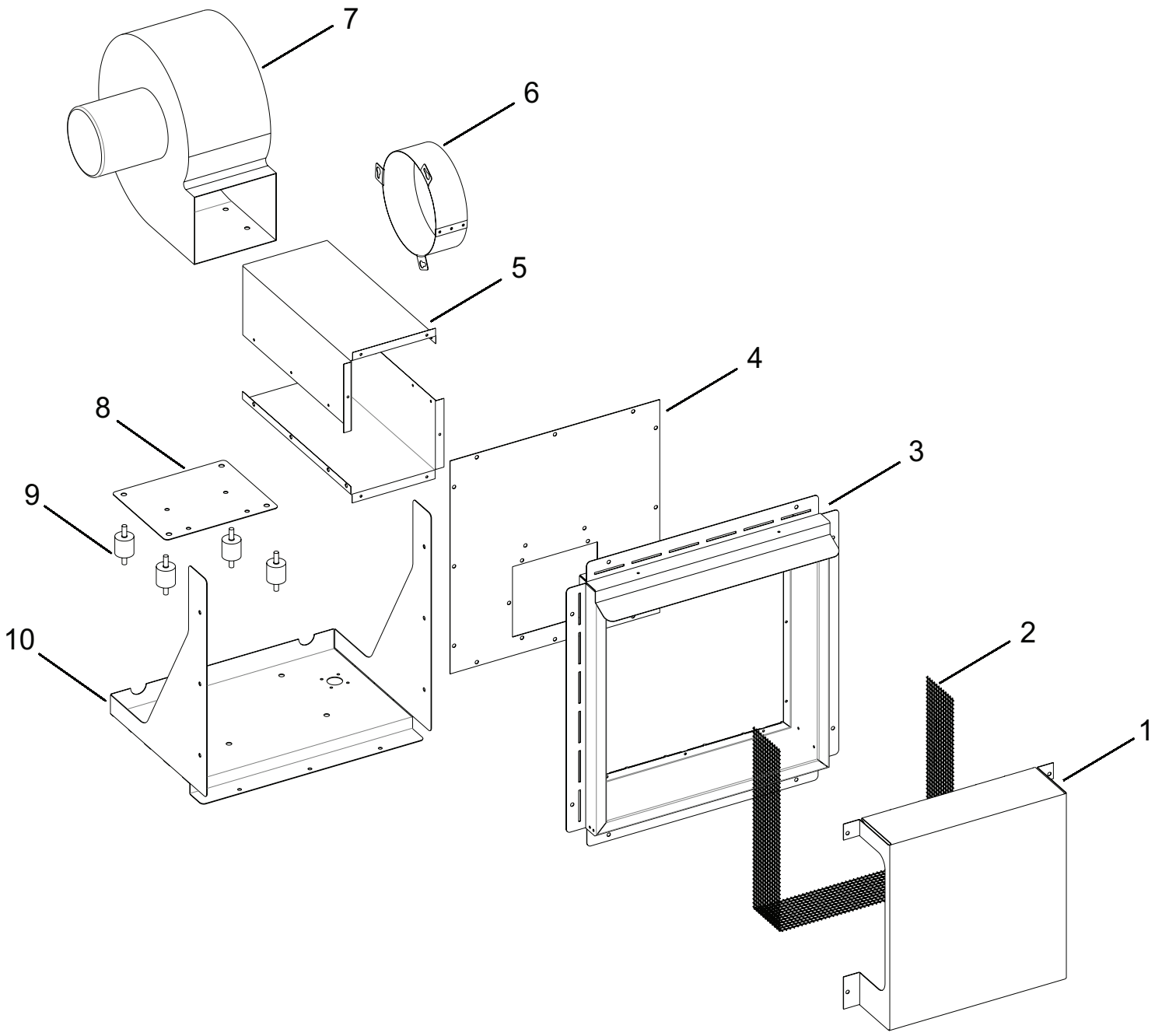
FINISHING

The Outer Termination Assembly is designed to allow exterior combustible finishing materials to be installed around the outer edges of the termination. This provides for J-channel, or other siding materials to be installed up to the termination face. It is the installer(s) responsibility to caulk or seal around the termination to prevent water leakage to the building envelope.

This page intentionally left blank.

PARTS LIST			
Index Number	Part Number	Description	Quantity
1	42720	Termination Cover Plate	1
2	42648	Screen	1
3	42726	Termination Assembly	1
4	42719	Termination, Back Plate	1
5	42721	Air Duct	2
6	42760	Inlet Collar	1
7	R13212	Blower, P-Tech TTB-3018	1
8	42716	Mounting Plate	1
9	R10856	Spacer, Vibration	4
10	42715	Base, Blower	1
N/S	R13145	Wire Harness, 2 Feet	1
N/S	R13221	Diverter Connector, 6 X 6 X 6 Y-Branch	1
N/S	R13222	Adapter, 6 Inch Flex	1
N/S	R13223	Clamp, 7 Inch Diameter Gear Clamp	4
N/S	R4186	Rheostat	1
N/S	R4192	Knob, Rheostat	1
N/S	42727	Collar, 6 Inch Diameter	2
N/S	42728	Flange, Collar	2
N/S	R11243	Cover, Plate, Junction Box	1
N/S	R1563	Wirenut, Black	2
N/S	R3490	Junction Box	1
N/S	B101569	Screw, # 10 X ½" Self Drilling SS	3
N/S	R11686	Drywall Screw, # 8 X 1"	19
N/S	R2737	Screw, # 10 X ½" HWH	26

N/S = Not Shown



Exploded View
Figure 23



SINCE 1932

www.empirecomfort.com

Empire Comfort Systems Inc.
Belleville, IL

If you have a general question
about our products, please e-mail
us at info@empirecomfort.com.

If you have a service or repair
question, please contact your dealer.

INSTRUCTIONS D'INSTALLATION TROUSSE DE SYSTÈMES DE GESTION DE LA CHALEUR

INSTALLATEUR :

Laisser ce manuel avec l'appareil.

ACHETEUR :

Garder ce guide pour référence ultérieure.

⚠ AVERTISSEMENT

RISQUE D'INCENDIE OU D'EXPLOSION

Le non-respect des mises en garde à la lettre pourrait entraîner des blessures graves, la mort ou des dommages matériels.

- Ne pas entreposer ni utiliser d'essence ou autres vapeurs et liquides inflammables près de cet appareil ou d'autres.
- QUE FAIRE EN CAS D'ODEUR DE GAZ?
 - Ne pas tenter d'allumer un appareil, quel qu'il soit.
 - Ne toucher à aucun interrupteur électrique; ne pas utiliser de téléphone dans le bâtiment.
 - Quitter le bâtiment immédiatement.
 - Téléphoner immédiatement au fournisseur de gaz depuis une maison voisine. Suivre les instructions du fournisseur de gaz.
 - S'il est impossible de joindre votre fournisseur de gaz, appeler le service d'incendie.
- L'installation et l'entretien doivent être exécutés par un installateur qualifié, une agence de service qualifiée ou par le fournisseur de gaz.

HMFA-1 TROUSSE DE SYSTÈMES DE GESTION DE LA CHALEUR À AIR PULSÉ À

UTILISER AVEC
LES MODÈLES
SUIVANTS DE
FOYER À
ÉVACUATION
DIRECTE :



DVLL(36,48,60,72)BP

DVCT(36,40,50)CBP

DVL(36,46)BP

DVCT40CSP

⚠ AVERTISSEMENT

Si l'installation, l'usage et l'entretien de ce produit ne sont pas conformes aux instructions du fabricant, ce produit pourrait vous exposer à des substances contenues dans le carburant ou provenant de la combustion du carburant, lesquelles peuvent causer la mort ou des maladies graves.

NATIONAL
FIREPLACE
INSTITUTE®



CERTIFIÉ
www.nficertified.org

Nous suggérons que nos produits fonctionnant au gaz soient installés et entretenus par des professionnels accrédités aux É.-U. comme spécialistes du gaz par le National Fireplace Institute® (NFI).

⚠ ATTENTION

En raison du poids de l'appareil et du fait qu'il présente des bords tranchants, porter une protection oculaire appropriée et des gants pour réduire les risques de blessure.

OUTILS REQUIS :

• Tournevis • Tournevis à douille • Cisailles à Phillips à tête plate 5/16 po (7,94 mm), métaux
• Couteau à lame rétractable 3/8 po (9,52 mm)
Autres outils divers fréquemment utilisés pour la structure et le câblage.

INTRODUCTION

Le système de gestion de la chaleur à air pulsé (HFMA) est conçu pour être installé en même temps que les foyers spécifiés d'Empire Comfort Systems spécifiques, afin de réduire la quantité de chaleur produite pendant le fonctionnement du foyer. Ce système comprend une soufflante à commande de variation de

vitesse qui fournira un pourcentage souhaité de la chaleur produite par le foyer à l'extérieur du bâtiment.

CONTENU :

1. Soufflante dotée d'une base (1)
2. Assemblage d'extrémité extérieure (1)
3. Collier à bride de 6 po (152,4 mm) de diamètre (2)
4. Raccord de conduit en « Y » 6 po x 6 po x 6 po (152,4 mm x 152,4 mm x 152,4 mm) (1)
5. Adaptateur de 6 po (152,4 mm) de diamètre (raccord en « Y » à flexible) (1)
6. Serre-joint à sangle (4)
7. Rhéostat (commande de variation de vitesse) à bouton (1)
8. Boîte de jonction à couvercle (1)
9. Trousse de quincaillerie (1)

REMARQUE : Un conduit d'évacuation flexible n'est pas inclus dans la trousse HMFA. Prière de commander la trousse de conduit d'évacuation flexible SD6DFA25 qui comprend un conduit flexible de 25 pi (7,62 m) et 2 serre-joints à sangle pour effectuer l'installation du système.

DISPOSITIONS EN MATIÈRE D'AIR D'APPOINT

En fonctionnement, le système de gestion de la chaleur à air pulsé HMFA fournit un pourcentage d'air chauffé depuis le foyer à l'extérieur du bâtiment. Puisqu'une certaine quantité d'air sera retirée du bâtiment, elle doit être remplacée par de l'air frais d'appoint, afin d'empêcher une pression négative de s'accumuler à l'intérieur de la structure.

Certains appareils de chauffage central comprennent des registres d'air d'appoint. Si un registre d'air d'appoint est fourni avec l'appareil de chauffage, vérifier son bon fonctionnement. Tous les registres d'air d'appoint pour appareil de chauffage central ne sont pas similaires; par conséquent, il faut vérifier si le système existant est compatible. Certains systèmes sont conçus pour fonctionner en cas de détection d'une pression négative à l'intérieur du bâtiment.

D'autres systèmes sont conçus pour fonctionner uniquement lorsque la soufflante de l'appareil de chauffage central fonctionne, et nécessitent donc l'installation d'un système de registre d'air d'appoint supplémentaire.

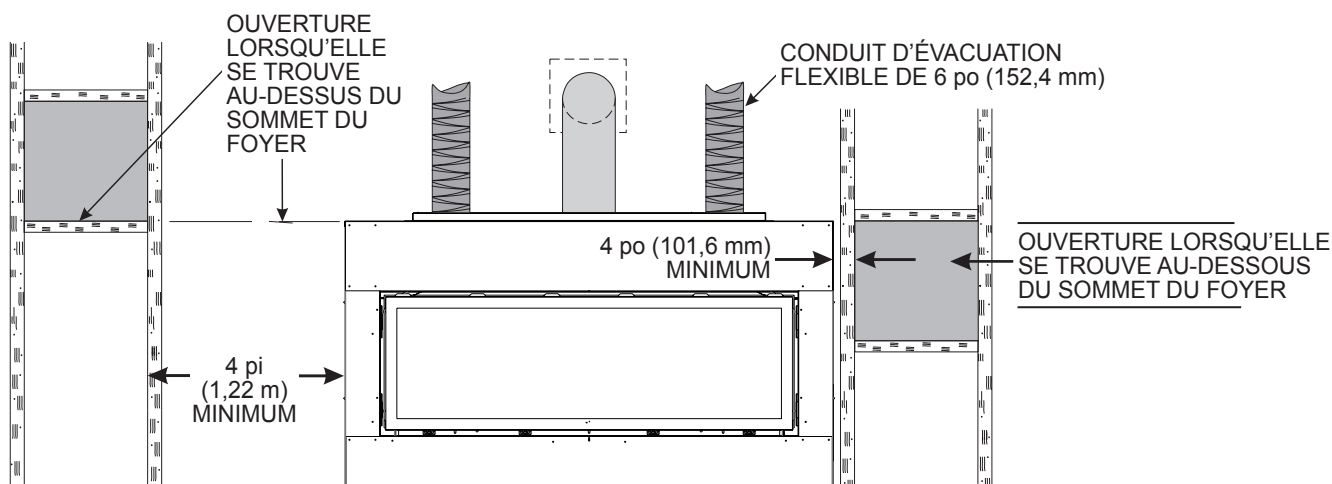
Des registres d'air d'appoint sont proposés dans les magasins locaux ou par des prestataires de chauffage, ventilation et climatisation. Le registre d'air d'appoint doit être dimensionné sur la base de la quantité potentielle d'air cubique à rejeter. Le système HMFA est susceptible de rejeter 150 pieds cubes (4,25 mètres cubes) par minute.

En cas d'installation d'un registre d'air d'appoint, le placer de préférence à l'extrémité opposée du bâtiment. En outre, l'installation d'un registre à un niveau élevé d'un plafond voûté contribue à diluer l'air froid entrant avec l'air plus chaud normalement présent près du plafond.

DÉTERMINATION DE L'EMPLACEMENT DU SYSTÈME DE GESTION DE LA CHALEUR

1. Déterminer l'emplacement du système HMFA par rapport au foyer. Le placement du système de soufflante HMFA par rapport au foyer est indiqué avec des dimensions

d'ouverture minimales et des exigences de longueur de conduit comme illustré dans les **Figures 1 à 3**.



Emplacement des structures d'ouvertures du système HMFA

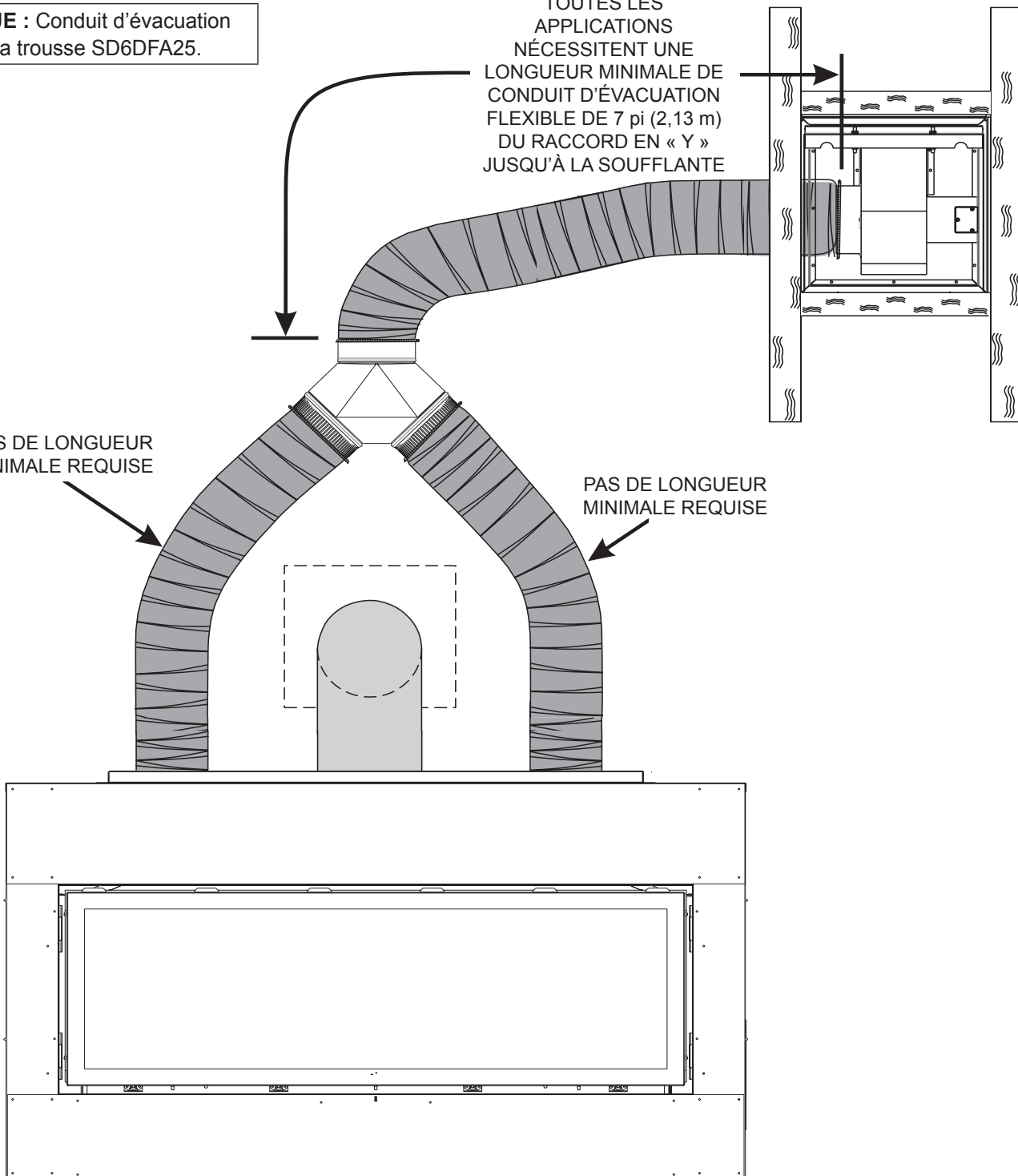
Figure 1

REMARQUE : Conduit d'évacuation flexible de la trousse SD6DFA25.

TOUTES LES APPLICATIONS NÉCESSITENT UNE LONGUEUR MINIMALE DE CONDUIT D'ÉVACUATION FLEXIBLE DE 7 pi (2,13 m) DU RACCORD EN « Y » JUSQU'À LA SOUFFLANTE

PAS DE LONGUEUR MINIMALE REQUISE

PAS DE LONGUEUR MINIMALE REQUISE



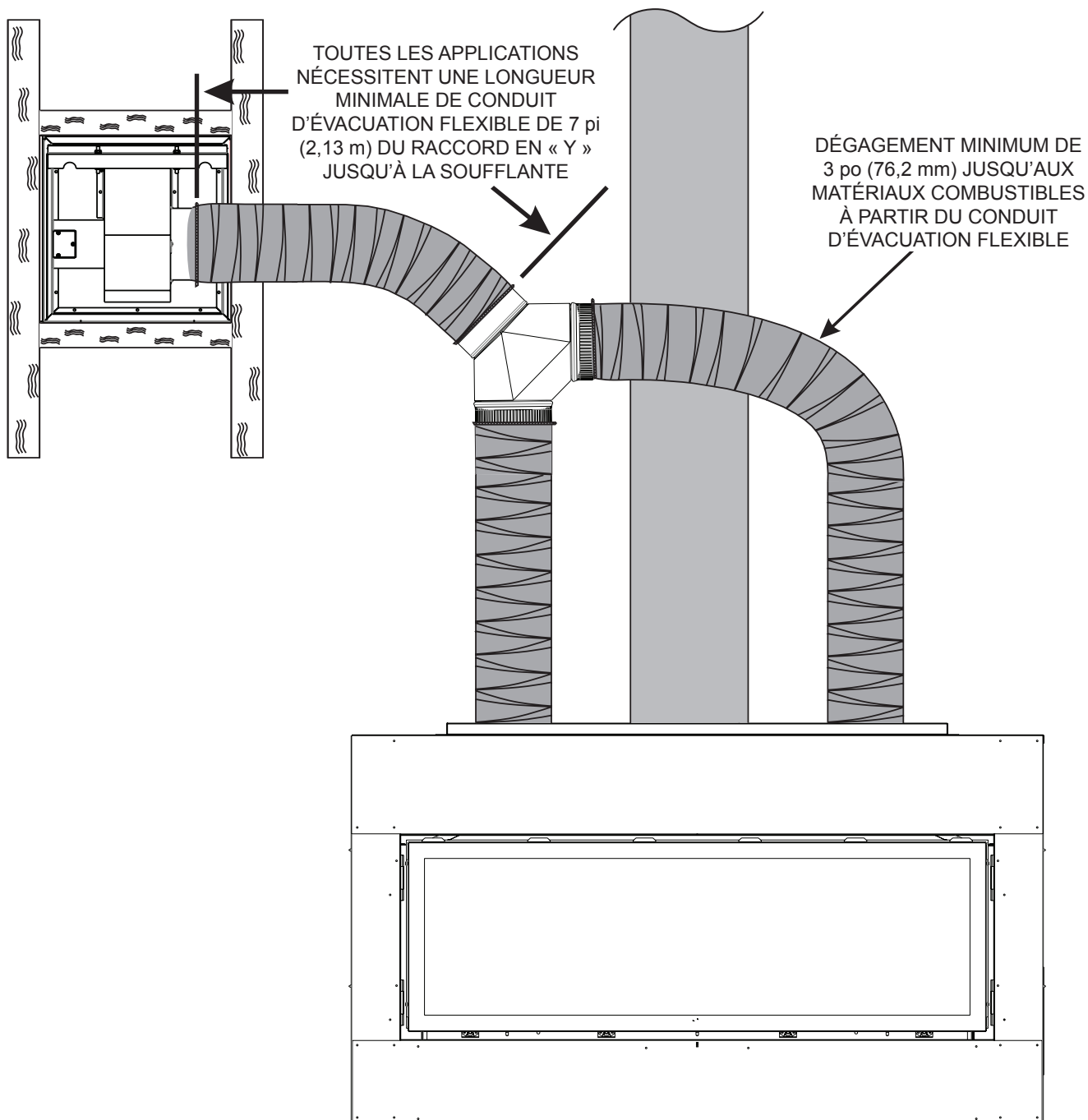
Foyer à évacuation horizontale

Figure 2

⚠ ATTENTION

En raison du poids de l'appareil et du fait qu'il présente des bords tranchants, porter une protection oculaire appropriée et des gants pour réduire les risques de blessure.

REMARQUE : Conduit d'évacuation flexible de la trousse SD6DFA25.



Foyer à évacuation verticale

Figure 3

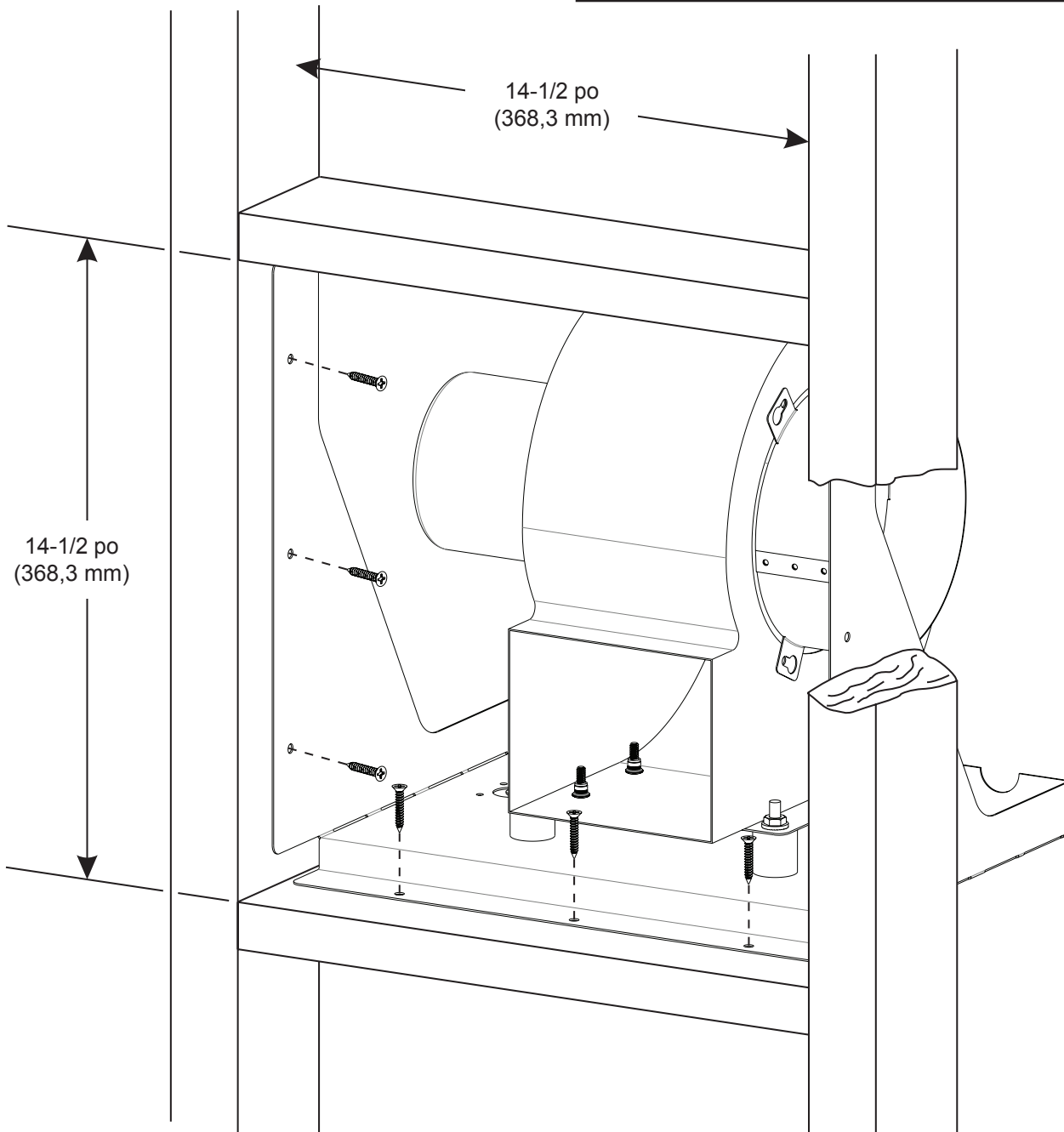
⚠ ATTENTION

En raison du poids de l'appareil et du fait qu'il présente des bords tranchants, porter une protection oculaire appropriée et des gants pour réduire les risques de blessure.

- Il est recommandé d'installer d'abord le système d'évacuation du foyer, puis les éléments de conduit du système HMFA.
- Prendre également en compte la planification de l'emplacement de la boîte de jonction, du câblage d'excitation et du placement du rhéostat pour commander le système HMFA. Se reporter aux raccords électriques à la page 10.

- L'ouverture pour l'installation du système HMFA est de 14-1/2 po x 14-1/2 po (368,3 mm x 368,3 mm) dans toutes les applications. Voir Figure 4.

⚠ ATTENTION
En raison du poids de l'appareil et du fait qu'il présente des bords tranchants, porter une protection oculaire appropriée et des gants pour réduire les risques de blessure.



Installation de la structure
Figure 4

5. Une fois la structure installée, procéder à l'installation de la soufflante et de la base comme illustré dans les **Figures 5a à 5d**. La soufflante et la base peuvent être installées dans le mur selon une position quelconque parmi quatre positions, ce qui offre une flexibilité de raccordement du conduit d'évacuation à la soufflante.

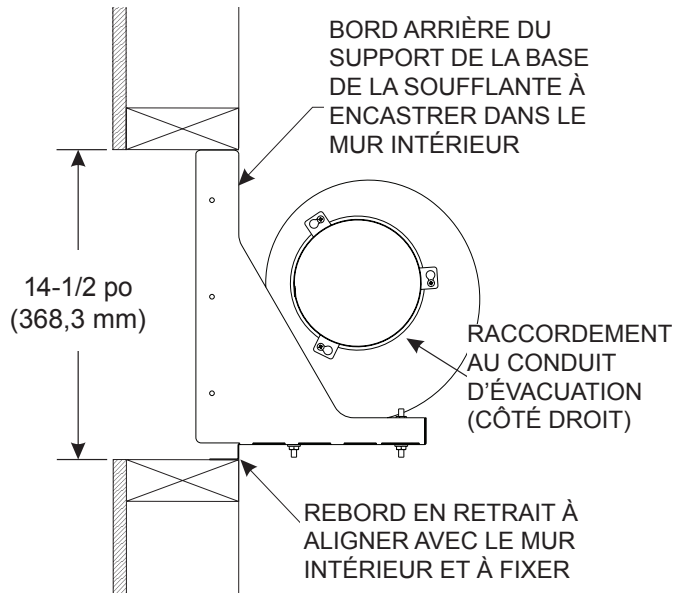


Figure 5a

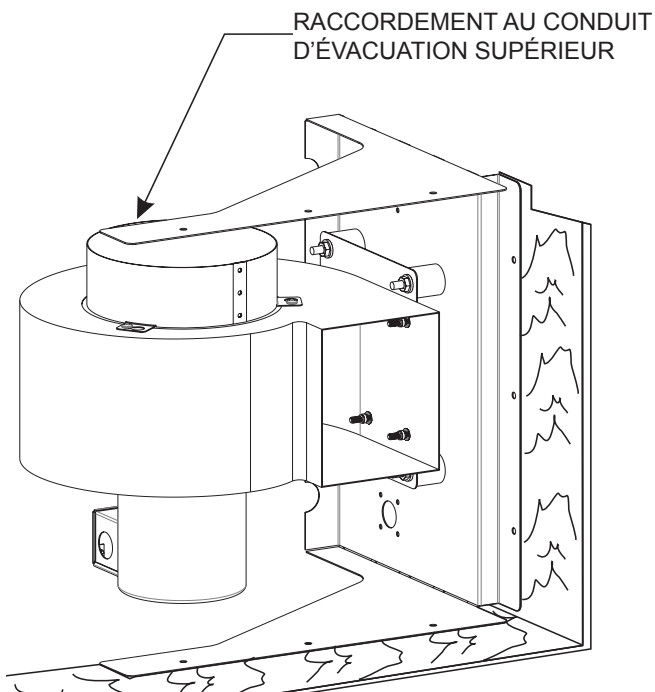


Figure 5b

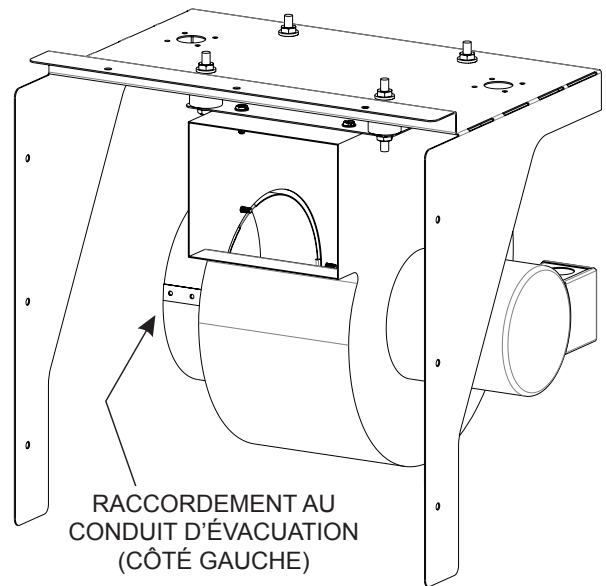


Figure 5c

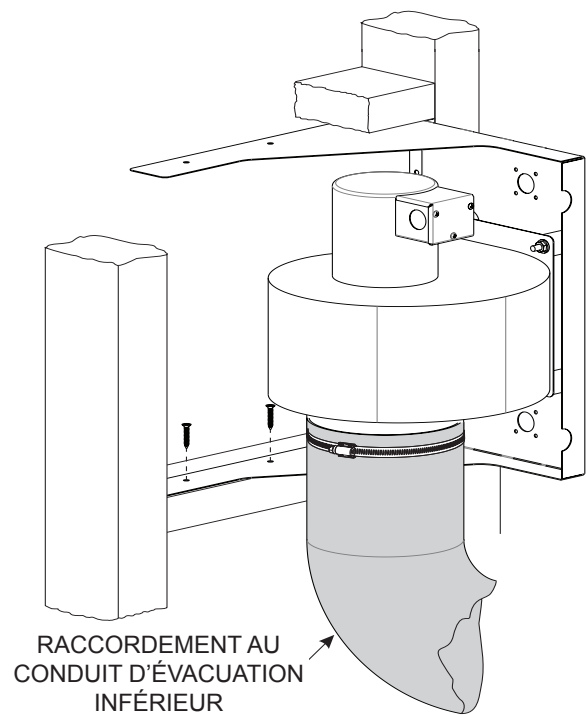


Figure 5d

- Placer le rebord en retrait de la base contre le bord arrière de l'ouverture. De plus, aligner le bord arrière des supports latéraux avec le bord arrière de l'ouverture. Fixer l'ensemble soufflante et base à l'aide des 9 vis de 1 po de long pour cloison sèche fournies comme illustré dans la **Figure 6**.

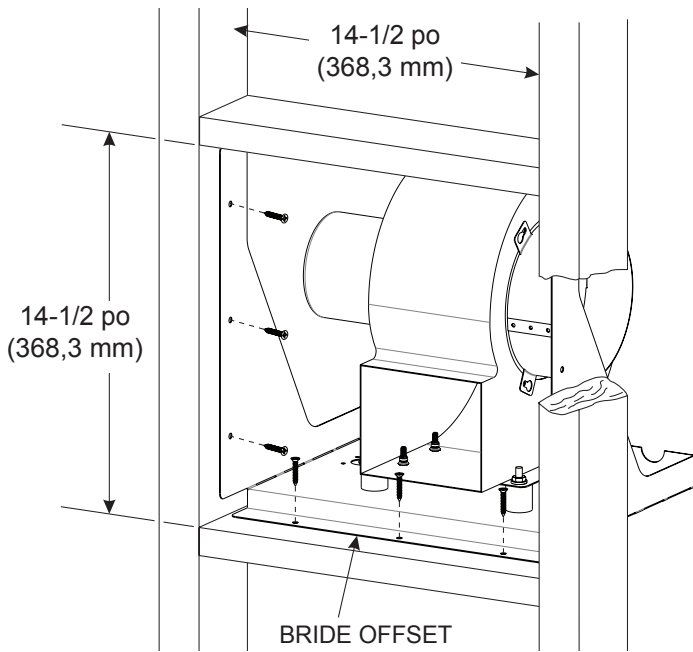


Figure 6

- Assembler 2 colliers de 6 po (152,4 mm) de diamètre x 8 po (203,2 mm) de long avec les brides de collier comme illustré dans la **Figure 8**. Fixer la bride au collier à l'aide de 3 vis n° 10 x 1/2 po, en utilisant les emplacements adéquats des trous selon le modèle de foyer particulier.

REMARQUE : Bride de collier : languettes à plier vers le bas manuellement sur le modèle DVLL72 seulement.

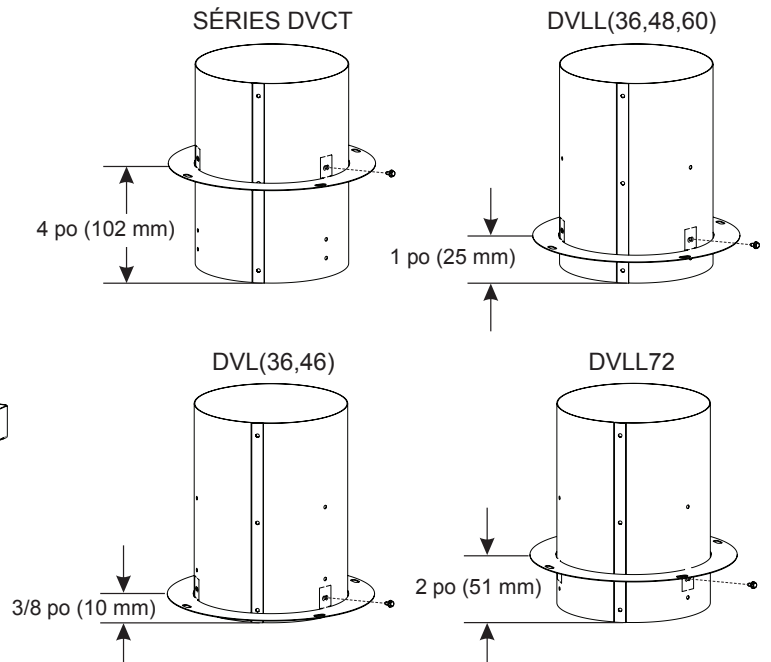


Figure 8

- Retirer les 2 rondelles éjectables qui sont situées sur le sommet du foyer de chaque côté du système d'évacuation. Utiliser à cet effet un tournevis standard et/ou des cisailles à métaux. Voir **Figure 9**. Les deux ouvertures d'évacuation doivent être utilisées avec l'accessoire du système HMFA.

RETIRER LES RONDELLES ÉJECTABLES ET LES EMBOUTS ISOLANTS AVANT D'INSTALLER LES COLLIERS DE 6 po (152,4 mm) DE DIAMÈTRE

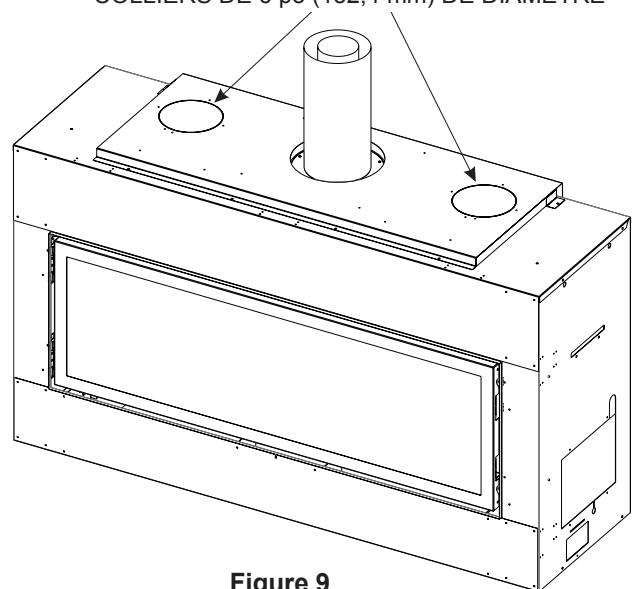


Figure 9

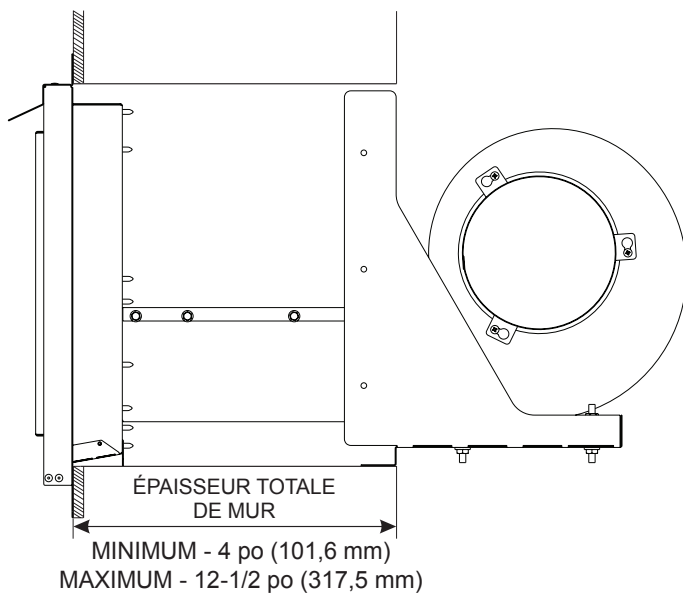


Figure 7

9. Une fois les rondelles métalliques éjectables supérieures enlevées, retirer également des embouts isolants.
REMARQUE : Sur certains modèles, il peut être nécessaire d'utiliser un couteau pour découper les embouts isolants au même diamètre que les trous de rondelle métallique.
 Après le retrait des embouts isolants, retirer également les rondelles métalliques éjectables supplémentaires de l'écran thermique interne à l'aide d'un tournevis standard et/ou de cisailles à métaux. **Voir Figure 10.**

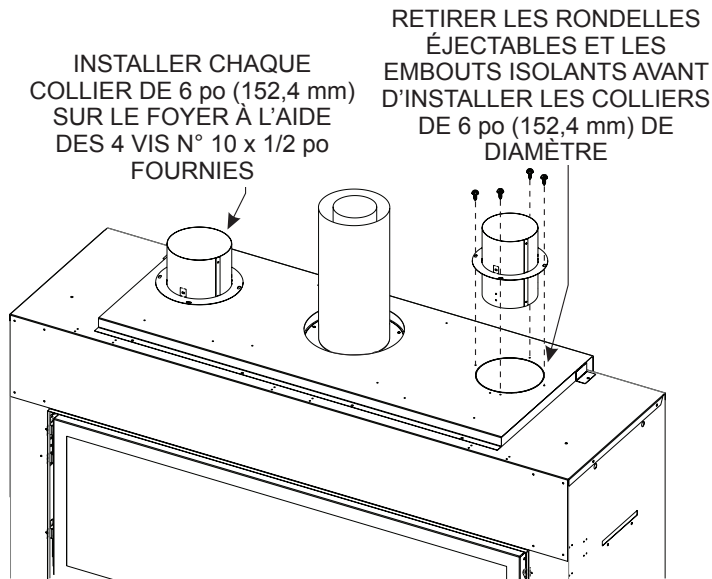


Figure 10

10. Installer les colliers initiaux (de l'étape 7) sur le foyer. Insérer les colliers dans les trous d'évacuation sur le sommet du foyer en s'assurant que le bas des colliers touche l'écran thermique interne, puis visser 4 vis n° 10 x 1/2 po pour fixer chaque collier. **Voir Figure 10.**

INSTALLATION DU CONDUIT D'ÉVACUATION FLEXIBLE

11. Préparer l'emplacement de l'adaptateur « Y ». Le placement de cet adaptateur dépend du type d'évacuation du foyer (verticale ou horizontale). L'adaptateur en « Y » et le conduit d'évacuation nécessitent un dégagement de 3 po (76,2 mm) jusqu'à une structure combustible; par conséquent, du ruban de plomberie, électrique ou métallique, doit être utilisé pour fixer le conduit d'évacuation flexible au besoin. **Voir Figures 2 et 3.**
12. Installer l'adaptateur de 6 po (152,4 mm) au raccord de conduit de la branche « Y » à l'aide de 3 vis autoperceuses n° 10 x 1/2 po. Cela est nécessaire pour raccorder le conduit d'évacuation flexible à chacune des trois ouvertures. **Voir Figure 11.**

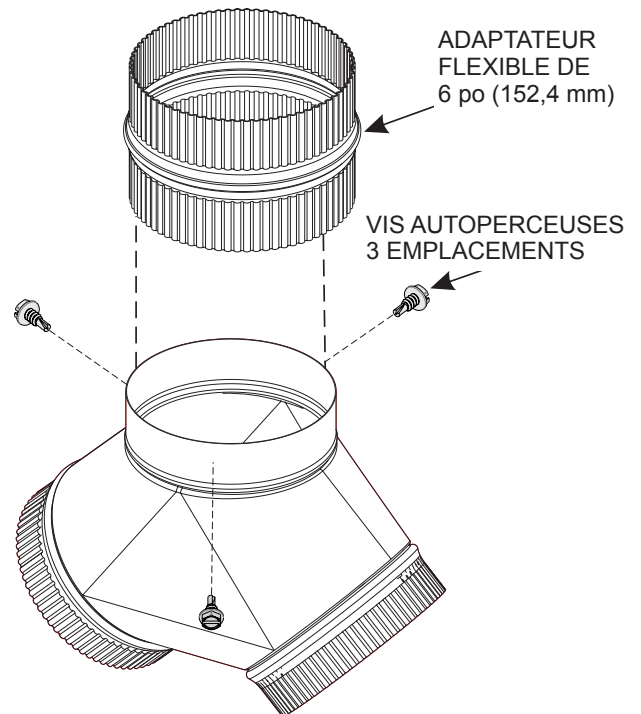


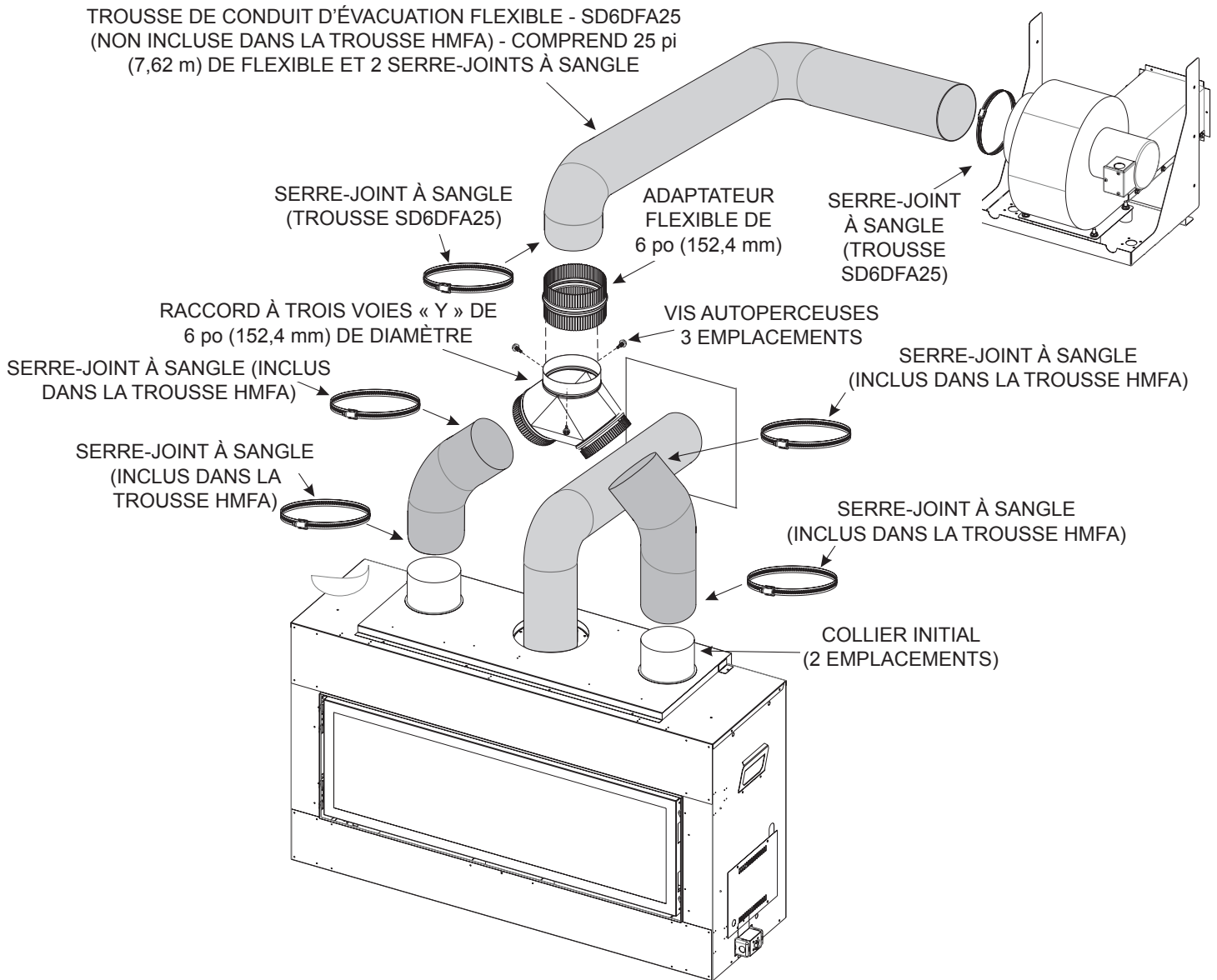
Figure 11

13. À l'aide de gants, relâcher la tension du conduit d'évacuation flexible de 6 po (152,4 mm) de diamètre de la trousse de conduit d'évacuation flexible SD6DFA25.

ATTENTION
En raison du poids de l'appareil et du fait qu'il présente des bords tranchants, porter une protection oculaire appropriée et des gants pour réduire les risques de blessure.

14. Mesurer et couper la bonne longueur pour les deux sections de conduit d'évacuation flexible qui se fixent à partir des colliers du foyer jusqu'à l'adaptateur en « Y » installé à l'étape 10. Fixer chaque section de conduit d'évacuation flexible aux colliers situés sur le sommet du foyer à l'aide d'un collier de serrage à vis sans fin de 7 po (177,8 mm) de diamètre. **Voir Figure 12.**

15. Fixer solidement l'adaptateur en « Y » aux deux sections de conduit d'évacuation flexible provenant du foyer au moyen de colliers de serrage à vis sans fin de 7 po (177,8 mm) de diamètre. **Voir Figure 12.**



Installation classique
Figure 12

16. Mesurer, découper et installer la section de conduit d'évacuation flexible qui se raccorde, à partir de l'adaptateur en « Y », au collier d'entrée monté sur le logement de la soufflante. Pour sécuriser, utilisez les deux colliers de serrage de 7 po (177,8 mm) de diamètre fournis dans le kit SD6DFA25 Flex Vent. Se reporter aux **Figures 12 et 13** illustrant une installation d'évacuation classique.

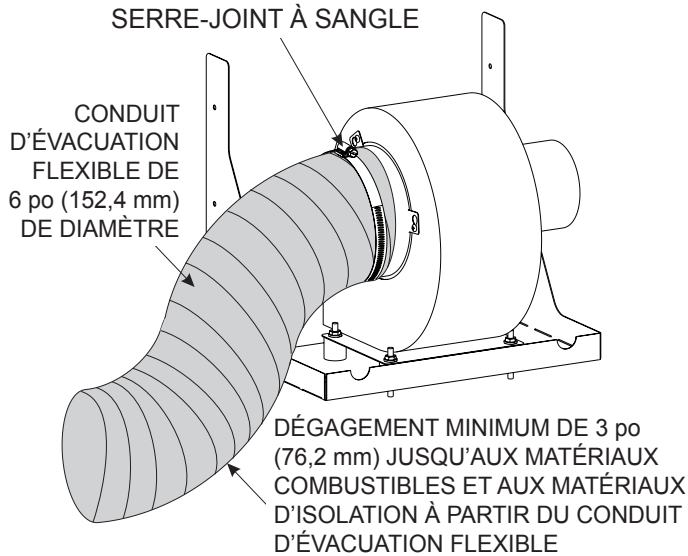


Figure 13

REMARQUE : Le conduit d'évacuation flexible doit être supporté par des rubans électriques ou de plomberie à des intervalles adéquats. Des intervalles de 2 pi à 3 pi (610 mm à 915 mm) sont recommandés.

RACCORDEMENTS ÉLECTRIQUES

17. Monter la boîte de jonction métallique fournie à la structure située près de la base de la soufflante à une distance de moins de 2 pi (0,61 m), de sorte que le faisceau de câbles à gaine métallique flexible peut être épissé et raccordé à l'alimentation électrique de 120 volts. **Voir Figure 14.**

REMARQUE : Tous les raccordements électriques doivent être effectués par un électricien qualifié.

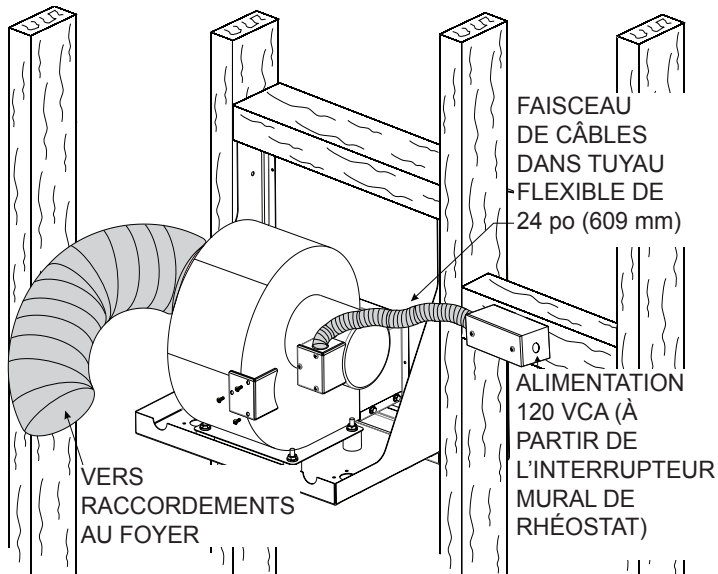


Figure 14

18. L'électricien est responsable de la réalisation de l'ensemble du câblage à partir de la soufflante jusqu'au rhéostat monté sur le mur. Le rhéostat doit être monté dans un boîtier mural standard (non fourni).

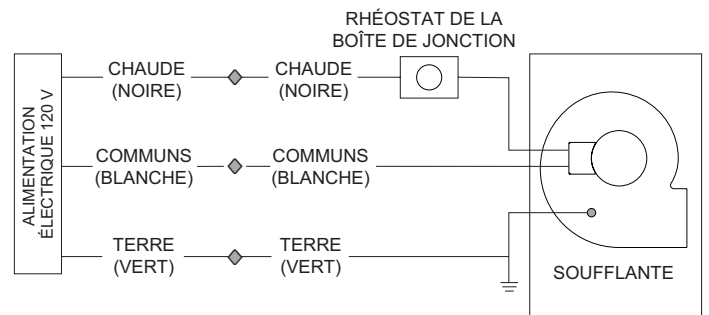
CÂBLAGE

⚠ AVERTISSEMENT

L'ensemble du câblage doit être effectué par un électricien qualifié et être conforme à tous les codes locaux ainsi qu'au National Electric Code ANSI/NFPA 70 en vigueur aux États-Unis ou au Code canadien de l'électricité CSC22.1 en vigueur.

⚠ AVERTISSEMENT

S'assurer que le circuit électrique du foyer est désactivé avant de travailler sur les branchements électriques.



INSTALLATION DE L'ASSEMBLAGE D'EXTRÉMITÉ EXTÉRIEURE

19. Installer l'assemblage d'extrémité extérieure dans l'ouverture de 14-1/2 po x 14-1/2 po (368,3 mm x 368,3 mm) à travers le mur extérieur du bâtiment, puis le fixer à l'aide de vis pour cloison sèche de 1 po de long comme illustré à la **Figure 15**.

OUVERTURE DE MUR EXTÉRIEUR 14-1/2 po x 14-1/2 po (368,3 mm x 368,3 mm)

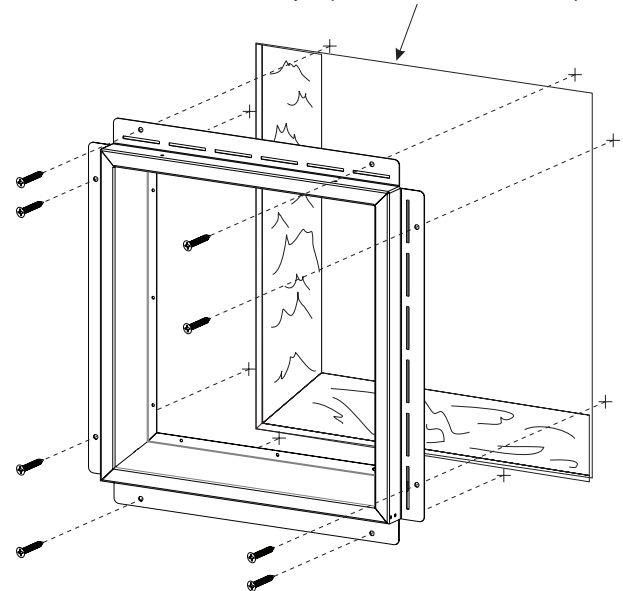


Figure 15

20. Repérer les deux moitiés du conduit d'air. Pour déterminer la longueur nécessaire de ce conduit, mesurer la distance entre la sortie du logement de la soufflante et le rebord interne de l'assemblage d'extrémité extérieure. **Voir Figure 16.**

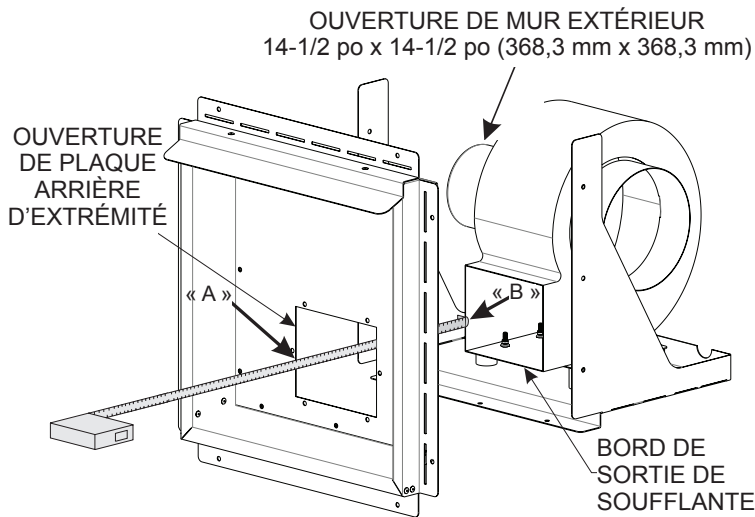


Figure 16

21. Ajouter 1-1/4 po (31,75 mm) à la distance mesurée à l'étape 20, puis, à l'aide de cisailles à métaux, découper les deux moitiés du conduit d'air à la bonne longueur. **Voir Figure 17.** Éliminer les extrémités découpées.

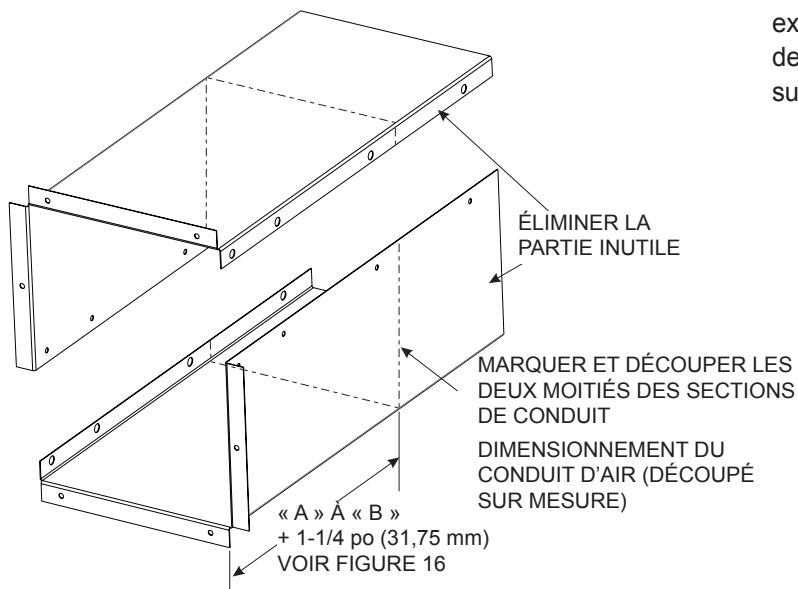


Figure 17

22. À l'aide des vis à tête hexagonale n° 10 x 1/2 po (12,7 mm) de long, assembler les deux moitiés du conduit d'air comme illustré dans la **Figure 18.**

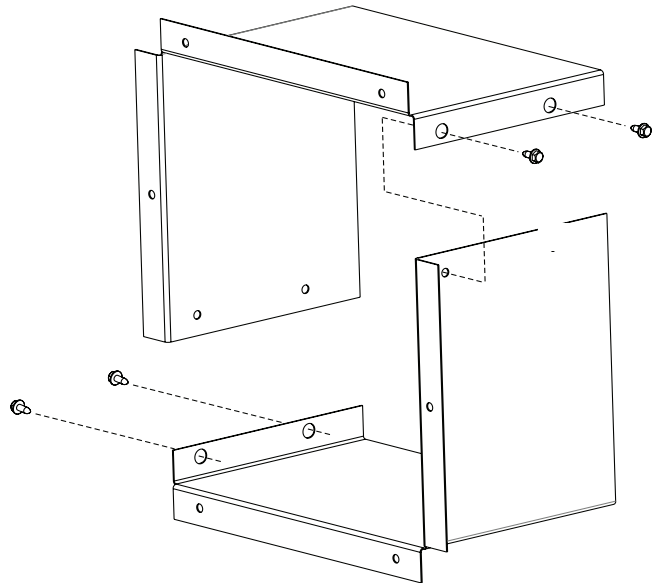
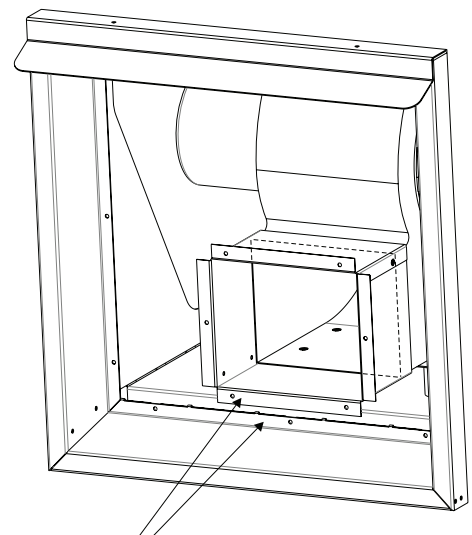


Figure 18

23. Installer l'extrémité découpée du conduit d'air sur la sortie de la soufflante. **Voir Figure 19.**

24. Vérifier si les rebords du conduit d'air sont alignés avec le rebord interne inférieur de l'assemblage d'extrémité extérieure comme illustré dans la **Figure 19.** En cas de longueur excessive, découper une partie métallique supplémentaire à partir des bords arrière du conduit d'air.



UNE FOIS QUE L'ON A FAIT GLISSER LE CONDUIT D'AIR SUR LA SORTIE DE LA SOUFFLANTE, LES REBORDS DU CONDUIT DOIVENT ÊTRE ALIGNÉS AVEC LES REBORDS INTERNES DE L'ASSEMBLAGE D'EXTRÉMITÉ EXTÉRIEURE.

Figure 19

25. Installer la plaque arrière d'extrémité en alignant le grand orifice rectangulaire avec le conduit d'air. À l'aide de 6 vis n° 10 x 1/2 po, fixer la plaque arrière au conduit d'air. **Voir Figure 20.**

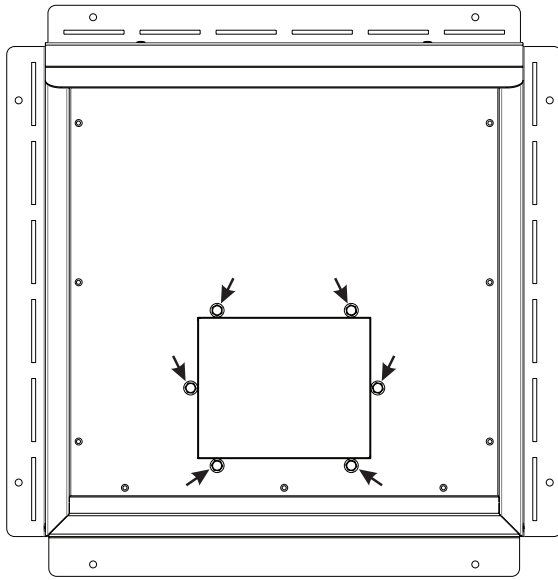


Figure 20

26. Fixer la plaque arrière à l'assemblage d'extrémité extérieure au moyen de 8 vis n° 10 x 1/2 po. **Voir Figure 21.** Ne pas installer maintenant les vis des côtés supérieur et inférieur.

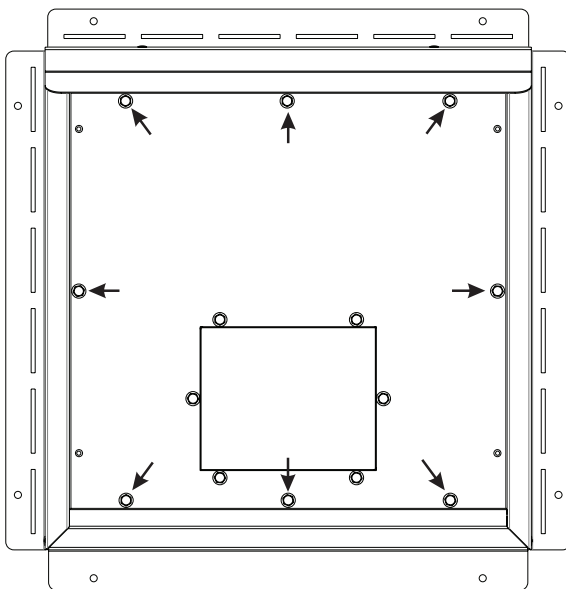


Figure 21

27. Pour installer le couvercle extérieur et l'écran, placer l'écran en forme de « U » à l'intérieur du couvercle extérieur, puis placer le couvercle extérieur dans l'assemblage d'extrémité extérieure. À l'aide de 4 vis n° 10 x 1/2 po, fixer le couvercle extérieur pour terminer l'installation. **Voir Figure 22.**

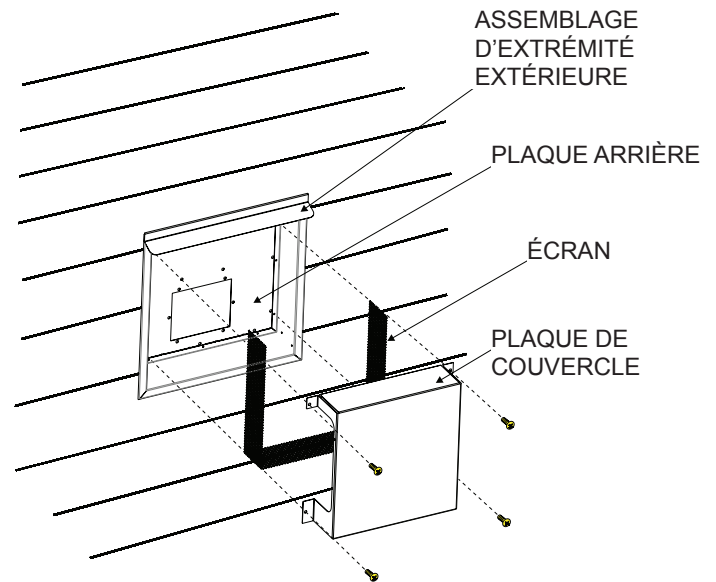


Figure 22

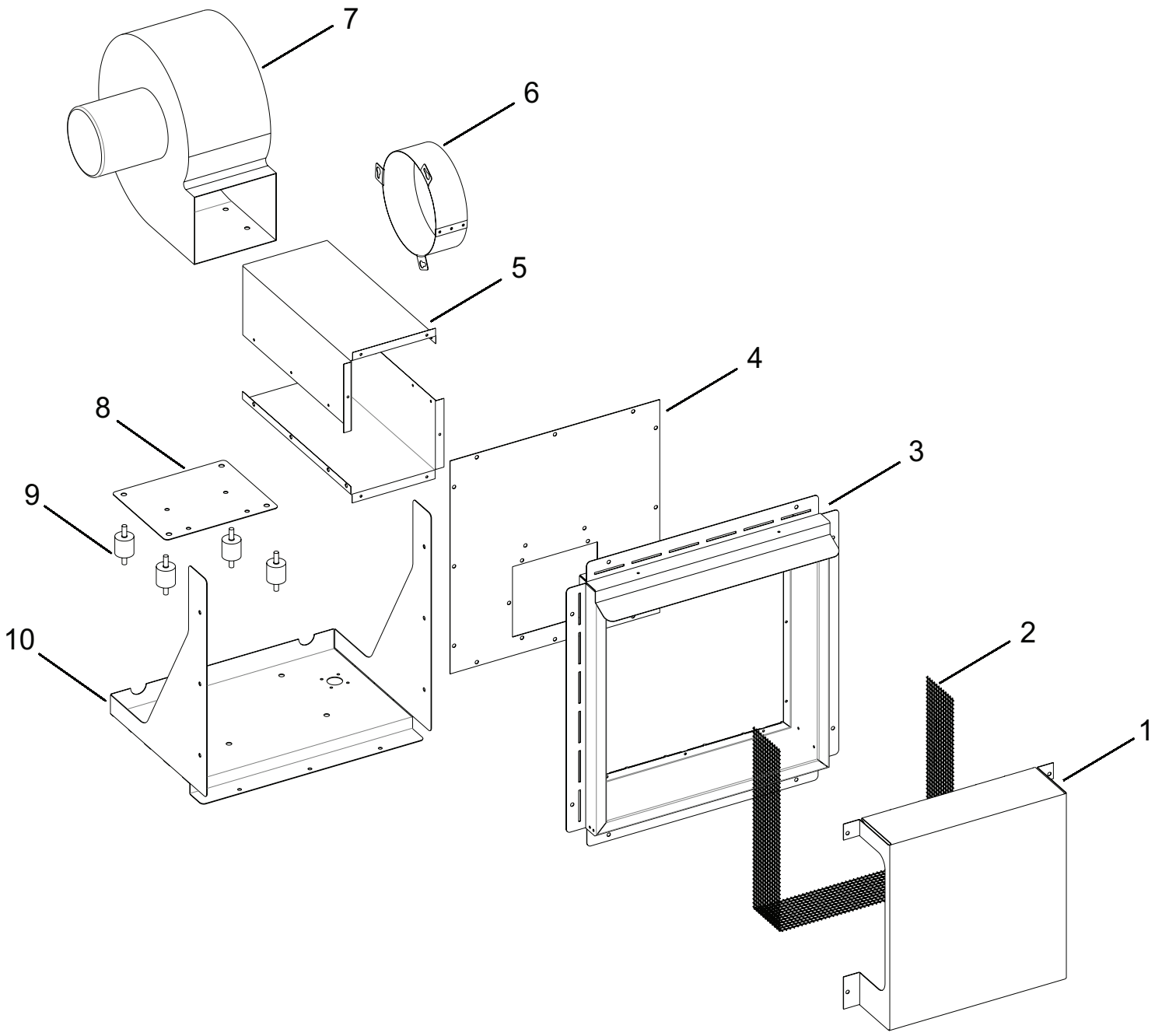
FINITION

L'ensemble de terminaison externe est conçu pour permettre l'installation de matériaux de finition combustibles extérieurs autour des bords extérieurs de la terminaison. Cela permet d'installer un profilé en J ou d'autres matériaux de revêtement jusqu'à la face de terminaison. Il incombe à l'installateur de calfeutrer ou de sceller autour de la terminaison pour éviter les fuites d'eau dans l'enveloppe du bâtiment.

Page laissée vierge intentionnellement.

LISTE DES PIÈCES			
Repère	Numéro de pièce	Description	Quantité
1	42720	Plaque de couvercle d'extrémité	1
2	42648	Écran	1
3	42726	Assemblage d'extrémité	1
4	42719	Extrémité, plaque arrière	1
5	42721	Conduit d'air	2
6	42760	Collier d'admission	1
7	R13212	Soufflante, P-Tech TTB-3018	1
8	42716	Plaque de fixation	1
9	R10856	Entretoise, vibration	4
10	42715	Base, soufflante	1
N.M.	R13145	Faisceau de câbles, 2 pi (610 mm)	1
N.M.	R13221	Raccord en Y, 6 po x 6 po x 6 po (152,4 mm x 152,4 mm x 152,4 mm)	1
N.M.	R13222	Adaptateur, flexible 6 po (152,4 mm)	1
N.M.	R13223	Collier de serrage à vis sans fin, 7 po (177,8 mm) de diamètre	4
N.M.	R4186	Rhéostat	1
N.M.	R4192	Bouton, rhéostat	1
N.M.	42727	Collier, 6 po (152,4 mm) de diamètre	2
N.M.	42728	Bride, collier	2
N.M.	R11243	Couvercle, plaque, boîte de jonction	1
N.M.	R1563	Wirenut, noir	2
N.M.	R3490	Boîte de jonction	1
N.M.	B101569	Vis autoperceuses SS, n° 10 x 1/2 po	3
N.M.	R11686	Vis pour cloison sèche, n° 8 x 1 po	19
N.M.	R2737	Vis à tête hexagonale à embase cylindrique, n° 10 x 1/2 po	26

N.M. = Non montré



Vue éclatée
Figure 23



Empire Comfort Systems Inc.
Belleville, IL

Pour toute question générale concernant nos produits, veuillez nous envoyer un courriel à info@empirecomfort.com.

Pour toute question d'entretien ou de réparation, veuillez contacter votre revendeur.

SINCE 1932

www.empirecomfort.com